

SANDI CABINETS WHOLESALE

CABINETS
SPECIFICATION
GUIDE | 2024

Cabinets Manufacturer

CARB2 CERTIFICATION



Sandi Cabinet is proud to be a CARB2 Certified kitchen cabinet manufacturer. Our cabinets comply with the rules and regulations of composite wood products established by the California Code of Regulations, nationally implemented by the EPA.

Items That We Make While...

Many Others don' t Carry

* Small Vanity With Bottom Drawer

* Vanity Sink Base

* Vanity Drawer Base

* Kitchen Base

* Kitchen Drawer Base

* Kitchen End Base

* Kitchen Wall

* Kitchen Stackable Wall

* Kitchen Corner Base

* Kitchen Corner Wall

(90 Degree Corner)

* Pantry With Odd Height

* 36" Pantry With Drawers At the Bottom

TABLE OF CONTENTS

Door Styles	
<i>Shaker White</i>	2
<i>Shaker Grey</i>	2
<i>Shaker Espresso</i>	2
<i>Charleston Saddle</i>	3
<i>Charleston Antique White</i>	3
<i>Charleston Pure White</i>	3
<i>YYork Chocolate</i>	4
<i>Alton Stone Grey</i>	4
Cabinet Construction	5
Wall Cabinets	6
Base Cabinets	19
Tall Cabinets	29
Bath Cabinets	33
Panels and Skins	37
Molding and Trim	43
Roll Outs	54
Trash Can Pull Out	55
Hardware	56
Touch-Up	53
Cleaning, Care, and Maintenance	57
Product and Finish Information	59
Warranty	60
Notes	74
Index	62

DOOR STYLES

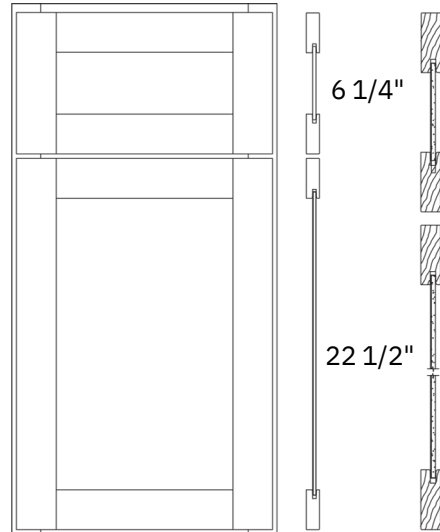
DOOR STYLES

Shaker White

Order Code: **SW**



- Full overlay door style
- Hardwood species
- Solid wood mortis and tenon stile and rail
- 5-piece drawer front
- Painted MDF center panel
- White paint

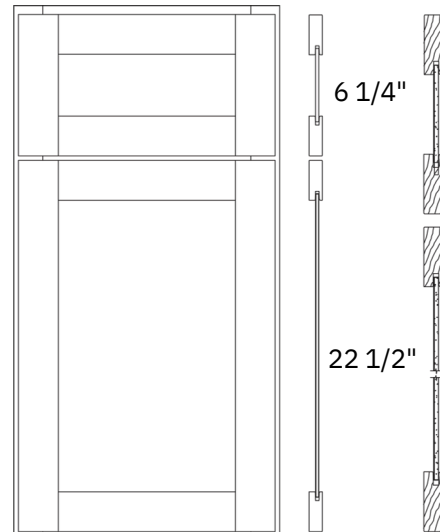


Shaker Grey

Order Code: **SG**



- Full overlay door style
- Hardwood species
- Solid wood mortis and tenon stile and rail
- 5-piece drawer front
- Painted MDF center panel
- Grey paint

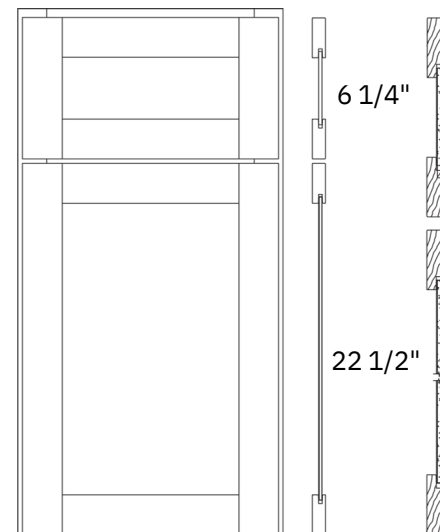


Shaker Blue

Order Code: **SB**



- Full overlay door style
- Hardwood species
- Solid wood mortis and tenon stile and rail
- 5-piece drawer front
- Veneered MDF center panel
- Blue satin paint

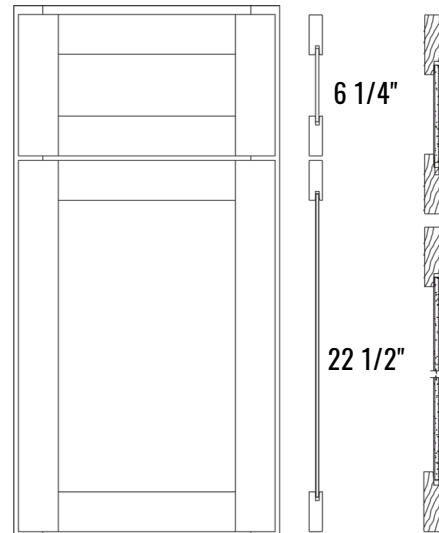


Jade Green

Order Code: **JG**

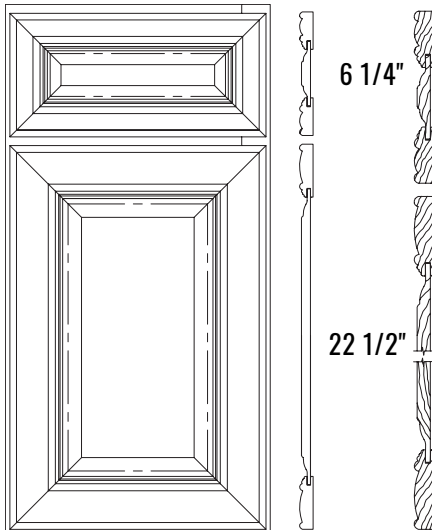


- Full overlay door style
- Hardwood species
- Solid wood mortis and tenon stile and rail
- 5-piece drawer front
- Painted MDF center panel
- Green paint



Charleston Saddle

Order Code: **CS**

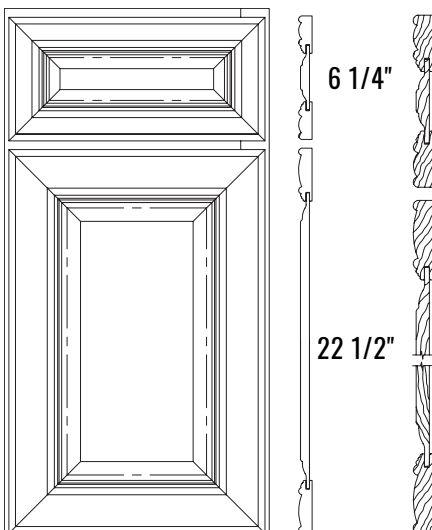


- Full overlay door style
- Hardwood species
- Solid wood mitered stile and rail
- 5-piece drawer front
- Solid wood center panel
- Mid-tone brown stain with burnishing stain



Charleston Pure White

Order Code: **PW**



- Full overlay door style
- Hardwood species
- Solid wood mitered stile and rail
- 5-piece drawer front
- Solid wood center panel
- Pure white paint

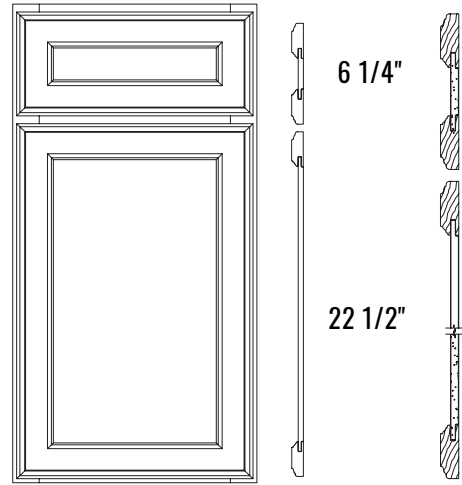


Alton Ivory White



Order Code:**AW**

- Full overlay door style
- Hardwood species
- Solid wood mortis and tenon stile and rail
- 5-piece drawer front
- Painted MDF center panel
- Classic Ivory Paint
- Unique Easy Clean Profile

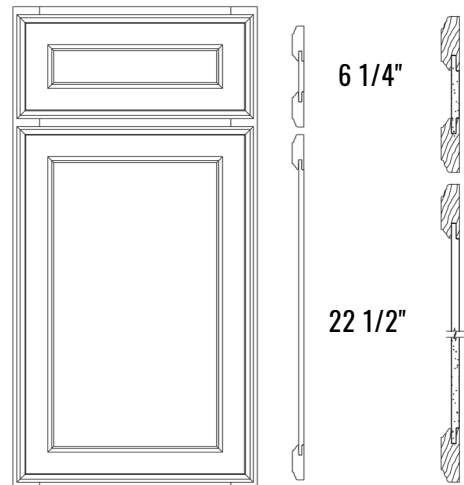


Alton Stone Grey



Order Code:**AG**

- Full overlay door style
- Hardwood species
- Solid wood mortis and tenon stile and rail
- 5-piece drawer front
- Stained MDF center panel
- Charcoal Grey Stain
- Unique Easy Clean Profile

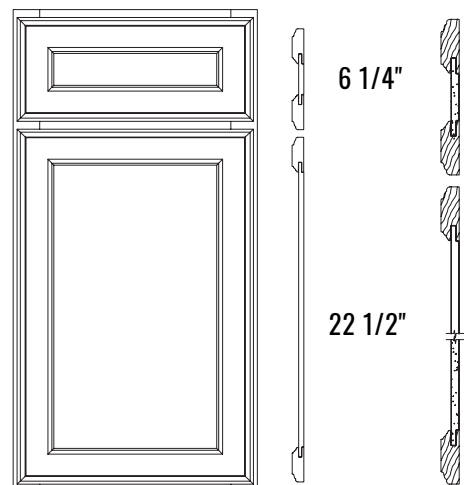


Alton Iced Mocha

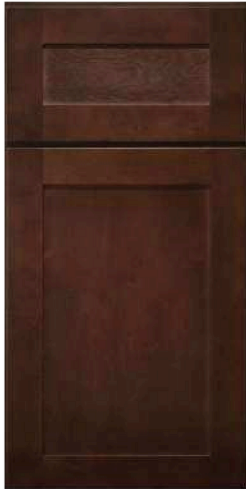


Order Code:**AM**

- Full overlay door style
- Hardwood species
- Solid wood mortis and tenon stile and rail
- 5-piece drawer front
- Stained MDF center panel
- Sandy Tone Stain
- Unique Easy Clean Profile

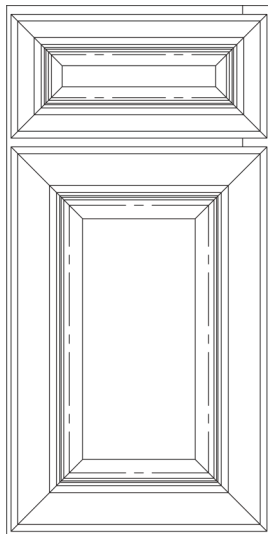
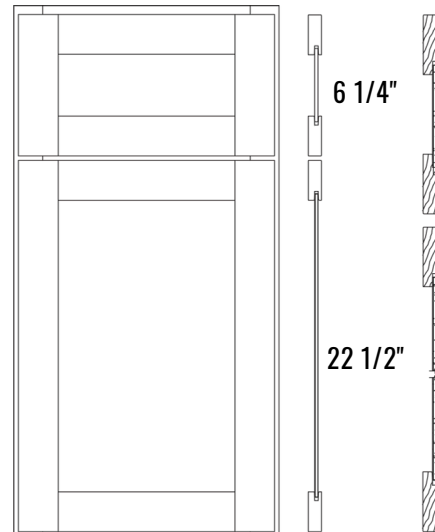


Shaker Espresso



Order Code: **SE**

- Full overlay door style
- Hardwood species
- Solid wood mortis and tenon stile and rail
- 5-piece drawer front
- Veneered MDF center panel
- Dark brown stain



Charleston Antique White

Order Code: **CW**

- Full overlay door style
- Hardwood species
- Solid wood mitered stile and rail
- 5-piece drawer front
- Painted MDF center panel
- Cream paint with caramel glaze

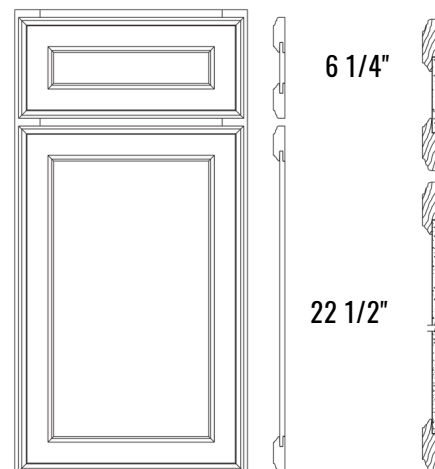


DOOR STYLES

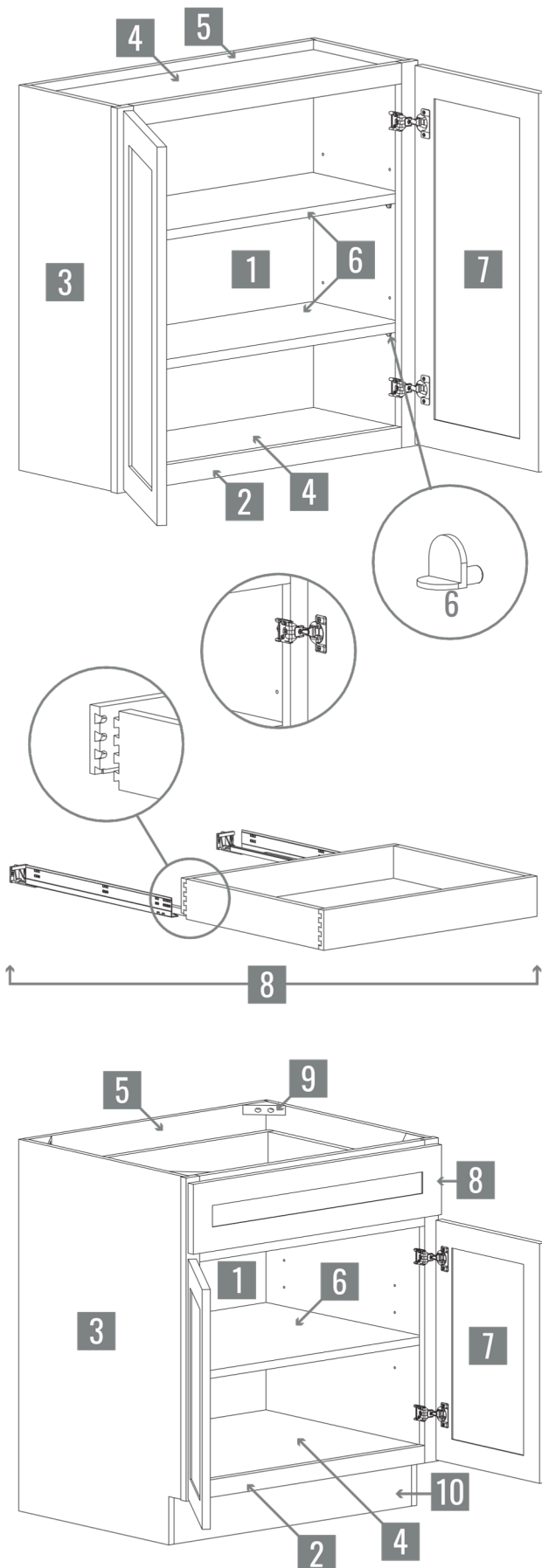
York Chocolate

Order Code: **YC**

- Full overlay door style
- Hardwood species
- Solid wood mitered stile and rail
- 5-piece drawer front
- Painted MDF center panel
- Brown stain with black glaze



CABINET CONSTRUCTION



1 • INTERIOR

Veneered Natural hardwood interior

2 • FACE FRAME

3/4" solid hardwood face frame

3 • END PANELS

1/2" veneered plywood end panels with white exterior finish

4 • FLOOR & CEILING PANELS

1/2" veneered plywood, captured floor and ceiling panels with natural finish

5 • BACK PANEL

1/2" framed with plywood back

6 • SHELVING

3/4" veneered plywood, full depth, adjustable shelving with metal shelf clips

7 • DOOR FRONT

Full overlay, solid hardwood stile and rail with 6-way adjustable, concealed, soft close hinges

8 • DRAWER BOX

Full overlay drawer front with 3/4" finger jointed hardwood, dovetail drawer box with 3/8" veneered plywood bottom and full extension, undermount, soft close drawer glides (rated 100 lbs.)

9 • CORNER BRACES

7/8" solid wood corner braces

4 1/2" high and 1/2" thick veneered plywood, unfinished toe kick

WALL CABINETS

CABINET IDENTIFICATION

The letter(s) represent the type of cabinet, the first set of numbers represents the width of the cabinet, and the second set of numbers represents the height of the cabinet.

W 30 12

Wall Cabinet Cabinet Width Cabinet Height

Whenever a cabinet is shorter or deeper than the standard 12" for wall cabinets, it is represented by a third set of numbers.

W 36 18 24

Wall Cabinet Cabinet Width Cabinet Height Cabinet Depth



ORDER CODING

All wall cabinet order coding begins with the door order code Example: **SW W1830**

SPECIAL NOTES

- Wall cabinetry is 12" deep less otherwise noted
- Single door wall cabinetry is hinged on the right side of the face frame but can be flipped as necessary

AVAILABILITY KEY

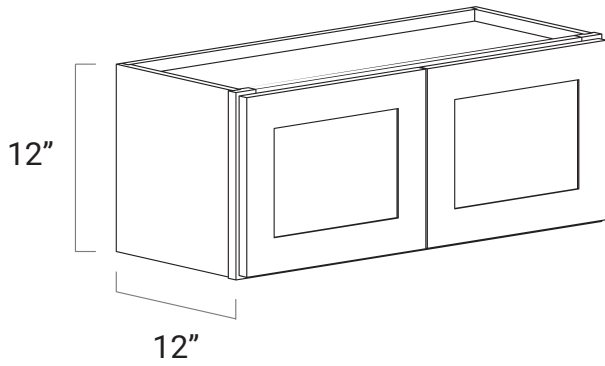
		Indicates availability
		Indicates no availability



Look for the light bulb for helpful design tips!

WALL CABINETS

WALL CABINETS

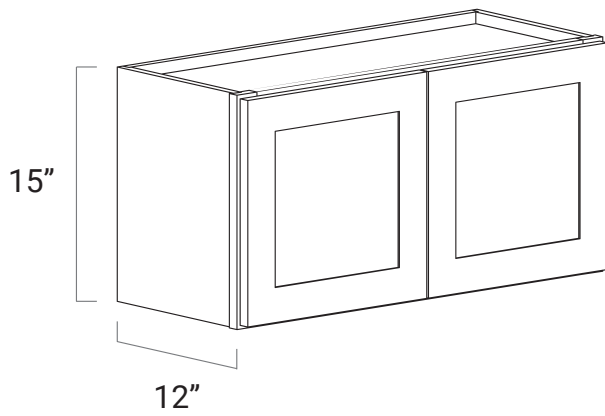


**Wall Bridge
Double Door 12"
High**

Order Code : **W3012**
W3612

• No shelf

●	AM
●	SW
●	SG
●	SB
●	JG
●	CS
●	PW
●	AW
●	AG
●	SE
●	YC
●	CW

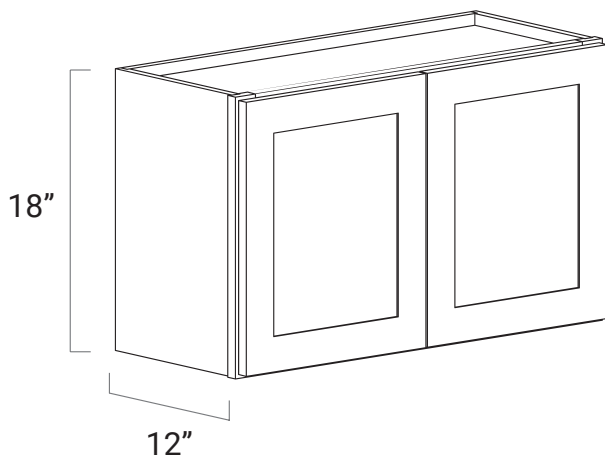


**Wall Bridge
Double Door 15"
High**

Order Code : **W3015**
W3615

• No shelf

●	AM
●	SW
●	SG
●	SB
●	JG
●	CS
●	PW
●	AW
●	AG
●	SE
●	YC
●	CW



**Wall Bridge
Double Door 18"
High**

Order Code: **W2118***
W2418 *
W2718 *
W3018 *
W3618 03318**

• No shelf

*** Stackable, Please call for a**

●	AM
●	SW
●	SG
●	SB
●	JG
●	CS
●	PW
●	AW
●	AG
●	SE
●	YC
●	CW

WALL CABINETS

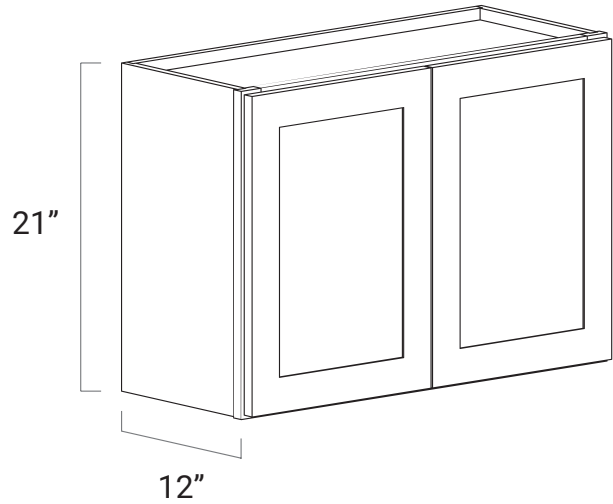
Wall Bridge
 Double Door 21"
 High

Order Code: **W3021**
W302124

03321
W3621*

- No shelf

●	AM
●	SW
●	SG
●	SB
●	JG
●	CS
●	PW
●	AW
●	AG
●	SE
●	YC
●	CW



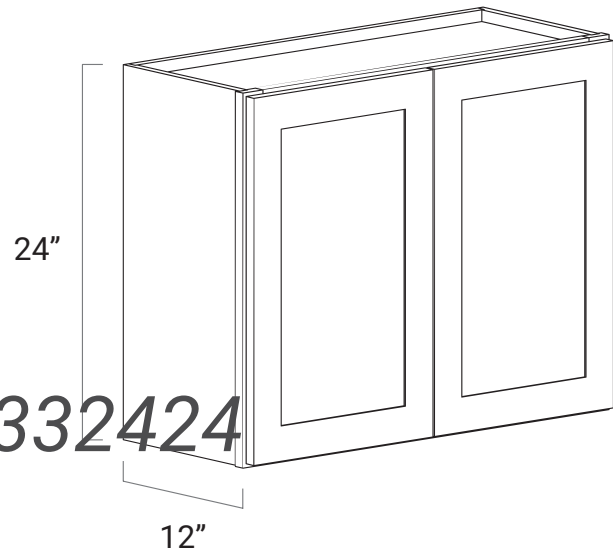
* Modified from 0332124

Wall Bridge
 Double Door 24"
 High

Order Code: **W3024**
W3324*
W3624

- One adjustable shelf

●	AM
●	SW
●	SG
●	SB
●	JG
●	CS
●	PW
●	AW
●	AG
●	SE
●	YC
●	CW



* Modified from 0332424

Oven Upper Cabinet
 Double Door 24" Deep

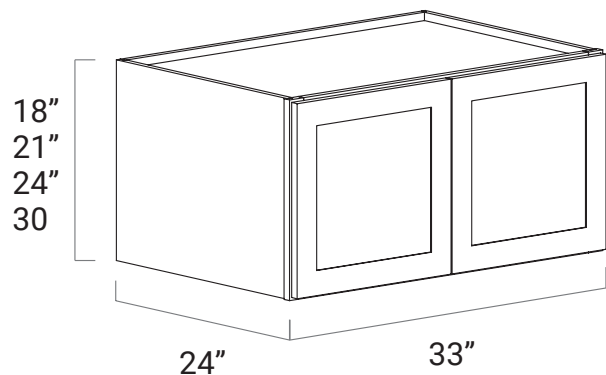
Order Code:
0331824

0332124
0332424*

0333024

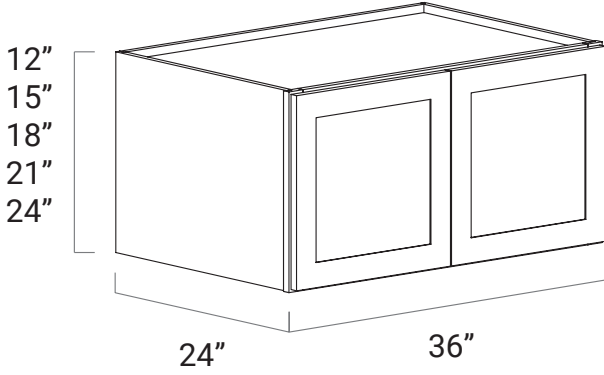
- One adjustable shelf for 24"/30" H
- Can be used as Refridgerator Cabinet

●	AM
●	SW
●	SG
●	SB
●	JG
●	CS
●	PW
●	AW
●	AG
●	SE
●	YC
●	CW



* Can be used as Farmer Sink Base

WALL CABINETS



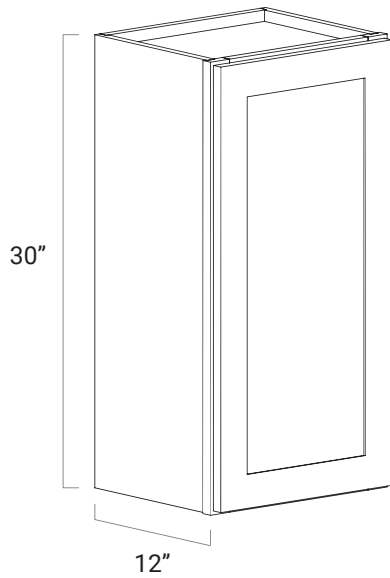
Wall Refrigerator Double Door

24" Deep
 Order Code: **W361224**
W361524
W361824
W362124

W362424*
 • One adjustable shelf (W362424 Only)

●	AM
●	SW
●	SG
●	SB
●	JG
●	CS
●	PW
●	AW
●	AG
●	SE
●	YC
●	CW

* Can be used as Farmer Sink Base

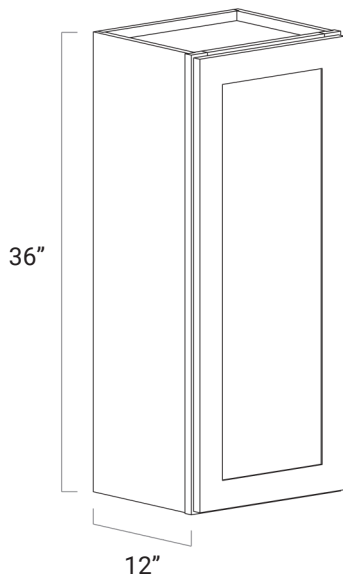


Wall Single Door 30" High

Order Code: **W0930**
W1230
W1530
W1830
W2130

• Two adjustable shelves

●	AM
●	SW
●	SG
●	SB
●	JG
●	CS
●	PW
●	AW
●	AG
●	SE
●	YC
●	CW



Wall Single Door 36" High

Order Code: **W0936**
W1236
W1536
W1836
W2136

• Two adjustable shelves

●	AM
●	SW
●	SG
●	SB
●	JG
●	CS
●	PW
●	AW
●	AG
●	SE
●	YC
●	CW

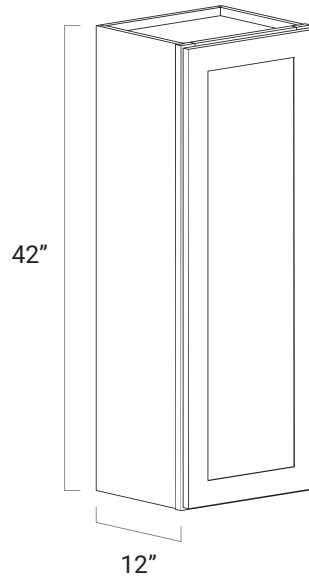
WALL CABINETS

Wall Single Door 42" High

Order Code: **W0942**
W1242
W1542
W1842
W2142

- Three adjustable shelves

●	AM
●	SW
●	SG
●	SB
●	JG
●	CS
●	PW
●	AW
●	AG
●	SE
●	YC
●	CW

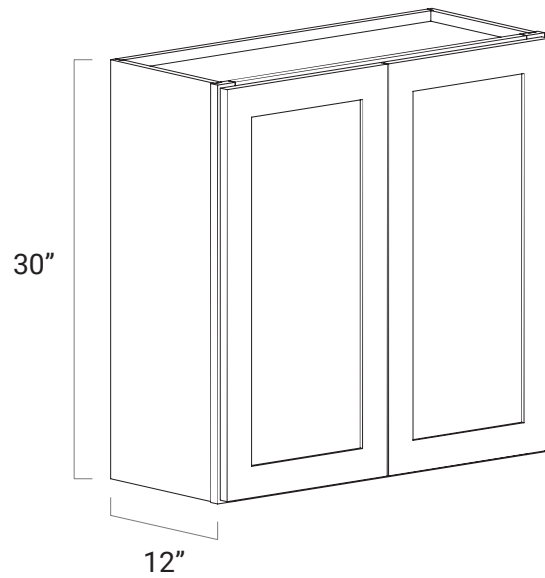


Wall Double Door 30" High

Order Code: **W2430**
W2730
W3030
W3330
W3630
W3930

- Two adjustable shelves

●	AM
●	SW
●	SG
●	SB
●	JG
●	CS
●	PW
●	AW
●	AG
●	SE
●	YC
●	CW

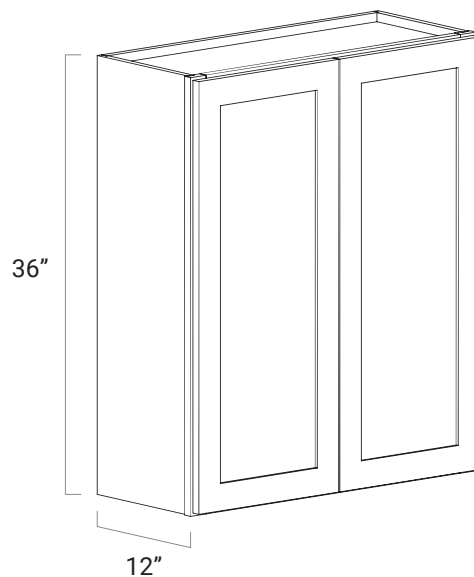


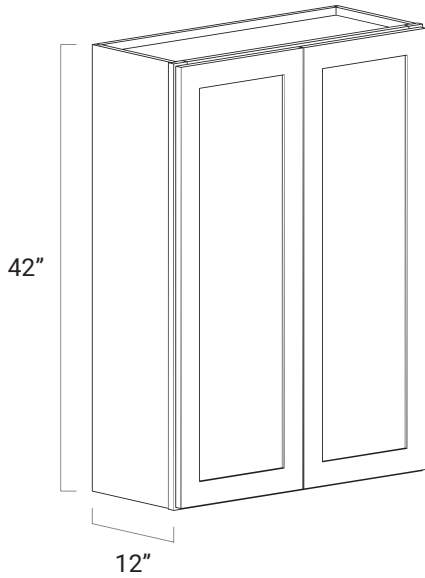
Wall Double Door 36" High

Order Code: **W2436**
W2736
W3036
W3336
W3636
W3936

- Two adjustable shelves

●	AM
●	SW
●	SG
●	SB
●	JG
●	CS
●	PW
●	AW
●	AG
●	SE
●	YC
●	CW





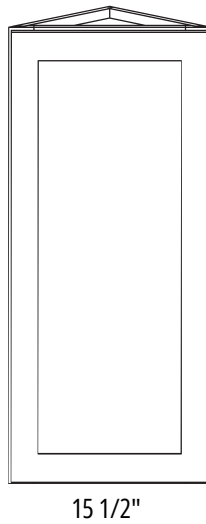
Wall Double Door 42" High

Order Code: **W2442**
W2742
W3042
W3342
W3642
W3942

- Three adjustable shelves

●	AM
●	SW
●	SG
●	SB
●	JG
●	CS
●	PW
●	AW
●	AG
●	SE
●	YC
●	CW

Angled Triangle Wall

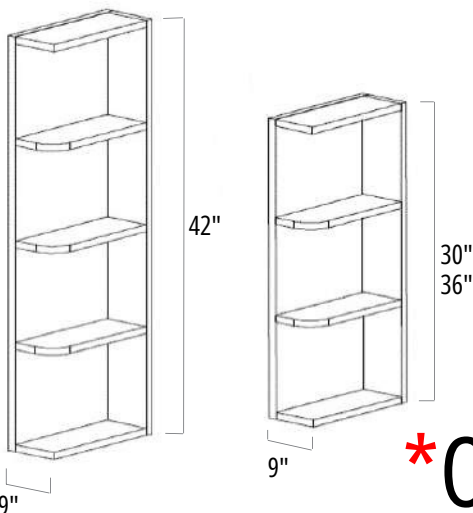


Order Code: **AW1230**
AW1236
AW1242

- **AW1230** has two adjustable shelves
- **AW1236** has two adjustable shelves
- **AW1242** has three adjustable shelves

●	AM
●	SW
●	SG
●	SB
	JG
●	CS
●	PW
●	AW
●	AG
●	SE
●	YC
●	CW

End Shelf Wall



Order Code: **OE0930**
OE0936
OE0942

●	AM
●	SW
●	SG
●	SB
	JG
●	CS
●	PW
●	AW
●	AG
●	SE
●	YC
●	CW

* We still have some OE0930/0936/0942 available

OE1230/1236/1242 Please call

WALL CABINETS

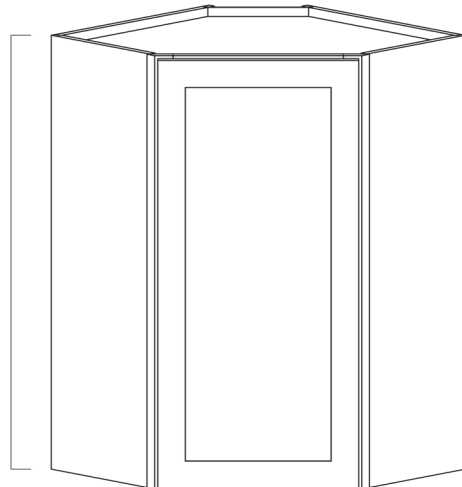
Wall Diagonal Corner 12" Deep

Order Code: **DCW2430**
DCW2436
DCW2442*

- 12" deep, 24" wide
- Two adjustable shelves

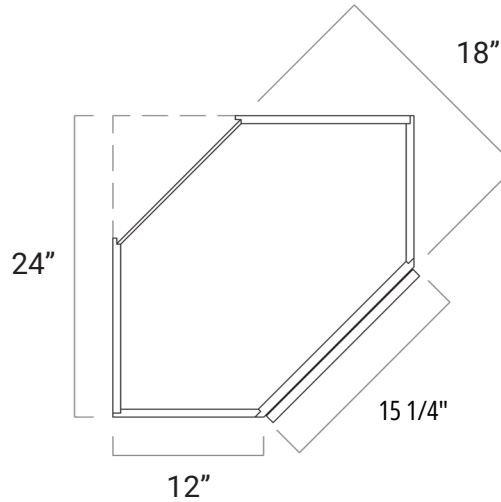
●	AM
●	SW
●	SG
●	SB
●	JG
●	CS
●	PW
●	AW
●	AG
●	SE
●	YC
●	CW

30"
36"
42"



12" TOP VIEW

(* **WDC2442** has three adjustable shelves)



Build out 3" from wall to portray deeper sides (dimensional)

Stackable Wall Diagonal Corner 12" Deep

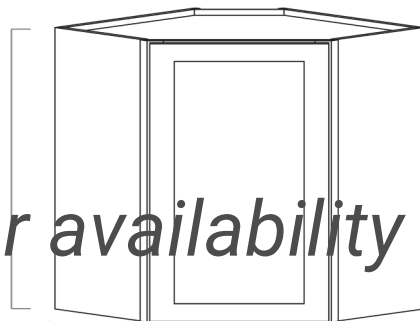
Order Code: **DCW2418**

- 12" deep, 24" wide
- No shelves

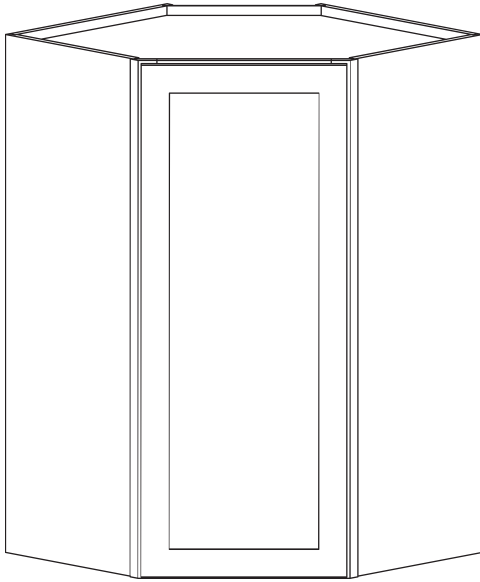
*** Stackable, Pls call for availability**

●	AM
●	SW
●	SG
●	SB
	JG
	CS
●	PW
●	AW
●	AG
●	SE
	YC
●	CW

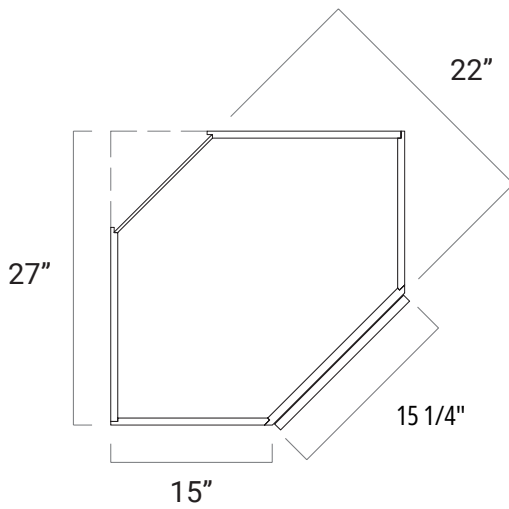
18"



12"



TOP VIEW



Wall Diagonal
Corner 15" Deep

Order Code: DCW2736
DCW2742*

●	AM
●	SW
●	SG
●	SB
●	JG
●	CS
●	PW
●	AW
●	AG
●	SE
●	YC
●	CW

- 15" deep, 27" wide
- Two adjustable shelves
- Design with staggered height wall cabinets, allowing crown on adjacent cabinetry to tie into 15" deep sides

*FRAME/DOOR are the s

NOTES

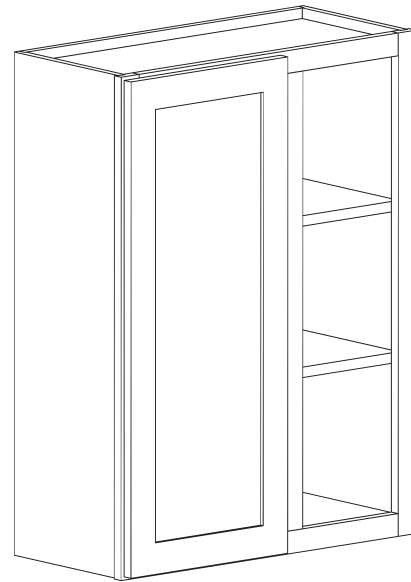
WALL CABINETS

Wall Blind Corner

Order Code: **WBC2730**
WBC2736
WBC2742*

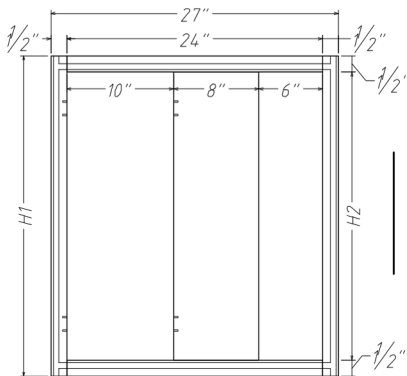
- 27" wide
- Two adjustable shelves
- Can be pulled up to 3" from the adjacent wall for a total of 30" wide
- Cabinet can be flipped for left/right application
- Hinges are located on center stile of the face frame and can be flipped as necessary

●	AM
●	SW
●	SG
●	SB
●	JG
●	CS
●	PW
●	AW
●	AG
●	SE
●	YC
●	CW

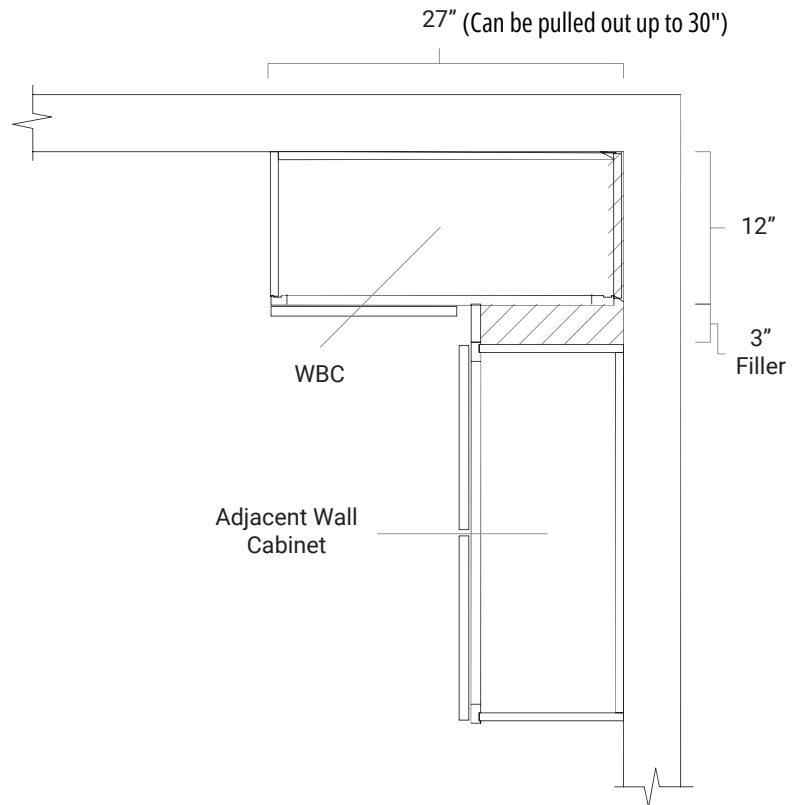


(***WBC2742** has three adjustable shelves)

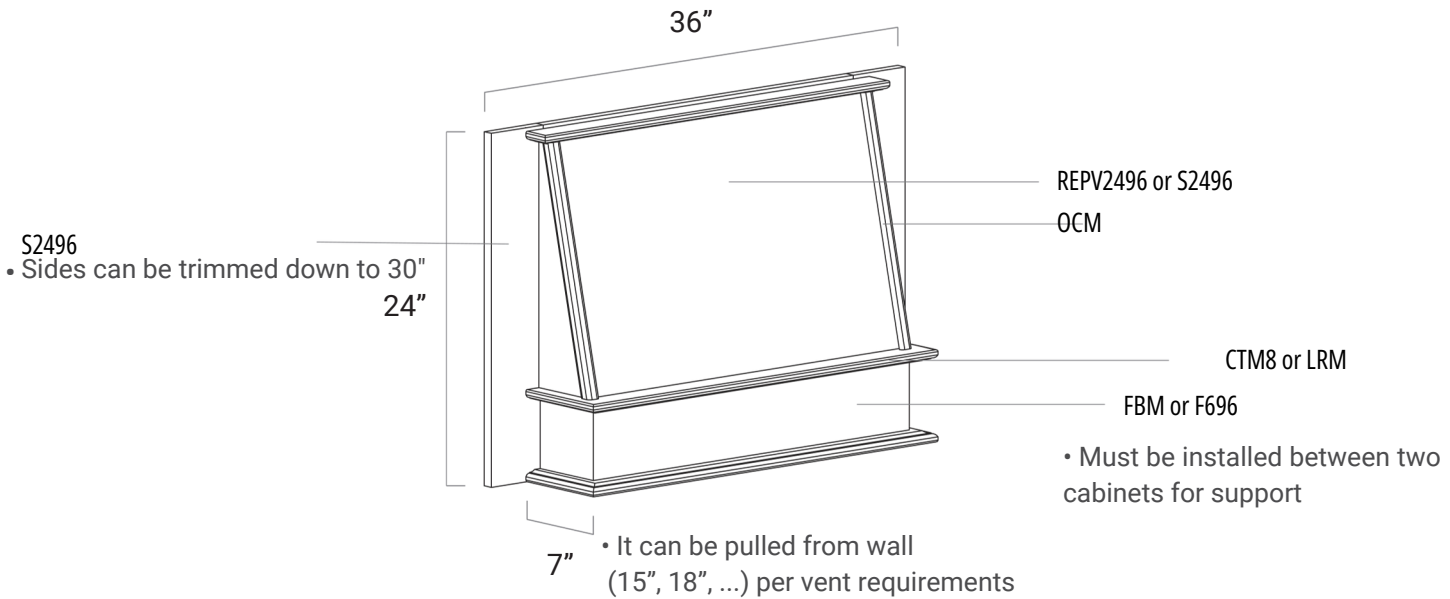
FACE FRAME
OPENING DIMENSIONS



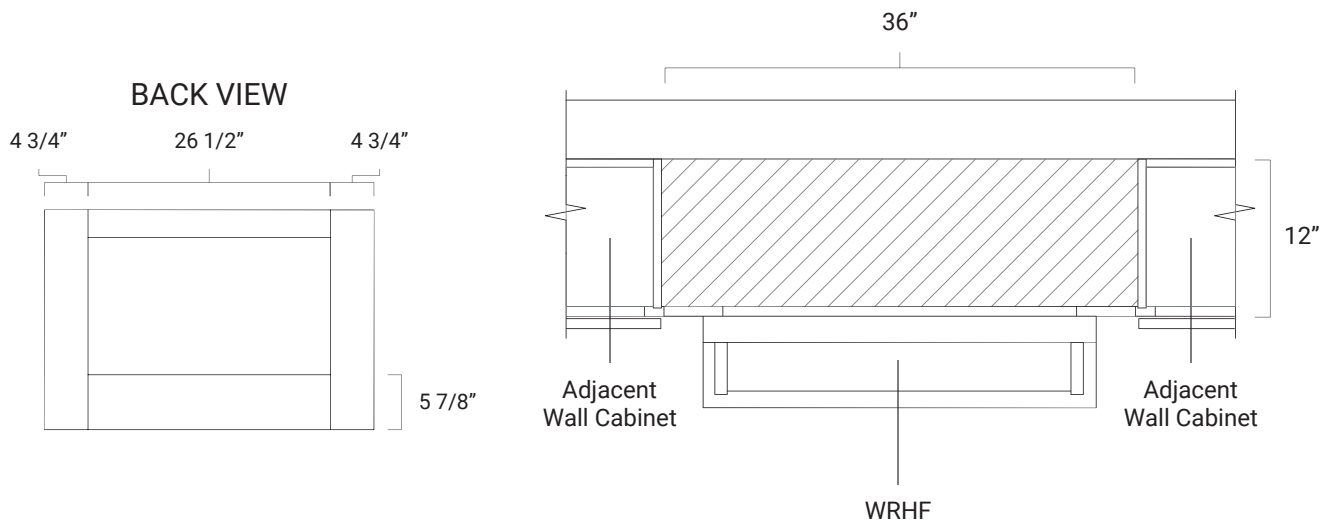
INSTALLATION DIAGRAM



Wall Range Hood Front Structure



INSTALLATION DIAGRAM



NKBA STANDARD COOKING SURFACE CLEARANCE

RECOMMENDED

- Allow 24" of clearance between the cooking surface and a protected, non-combustible surface (e.g. a range hood) above it.

CODE REQUIREMENT

- At least 30" of clearance is required between the cooking surface and an unprotected, combustible surface (e.g. cabinetry) above it.*
- If a microwave hood is used, then the manufacturer's specifications should be followed.

(*) IRC M 1901.1 and IRC G 244705

Source: National Kitchen and Bath Association

WALL CABINETS

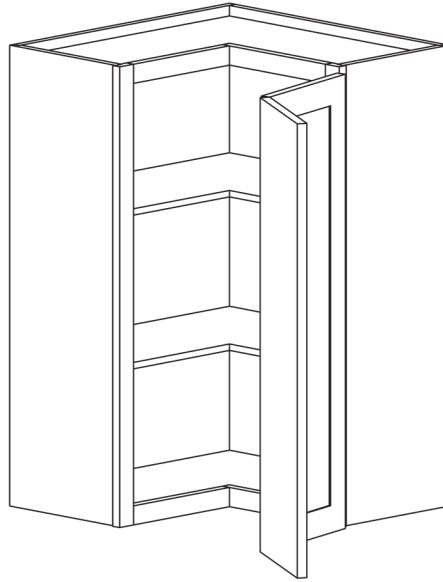
Wall Easy Reach

Order Code: ~~ERC2430~~
ERC2436*
ERC2442**

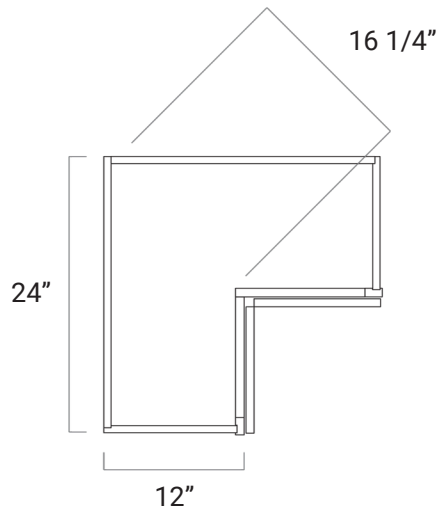
- Bi-folding door
- Two adjustable shelves
- Soft close not available

(*) ERC2430 shares door&frame with LSB36 ERC2442 has 3 shelves

●	AM
●	SW
●	SG
●	SB
●	JG
●	CS
●	PW
●	AW
●	AG
●	SE
●	YC
●	CW



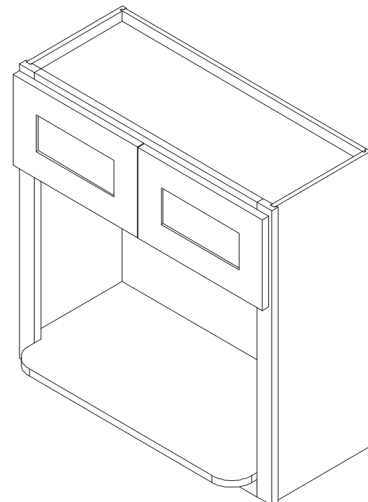
TOP VIEW



Wall Microwave Cabinet*

Order Code : **M03030**
M03036
M03042

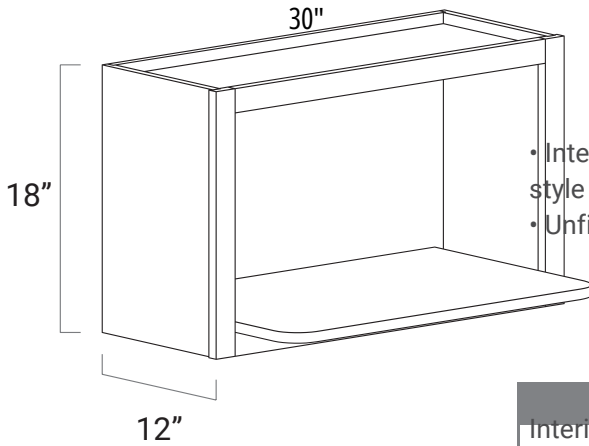
●	AM
●	SW
●	SG
●	SB
●	JG
●	CS
●	PW
●	AW
●	AG
●	SE
●	YC
●	CW



* They will be discontinued and replaced with M03018 + W3012/W3018/W3024 (Pg.17)

Wall Microwave

Order Code: **WMR3018 +3018MO**



- Intended for "countertop" style microwave
- Unfinished interior
- Finished shelf is 5/8" thick and 15" deep

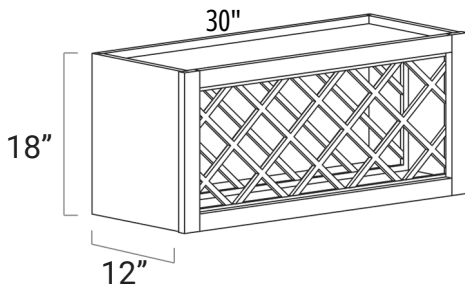
OPENING DIMENSIONS

	WIDTH	HEIGHT	DEPTH
Interior Dimension	28 1/2"	13 1/4"	10 5/8"
Frame Opening w/Shelf	26 3/4"	13"	14 5/8"

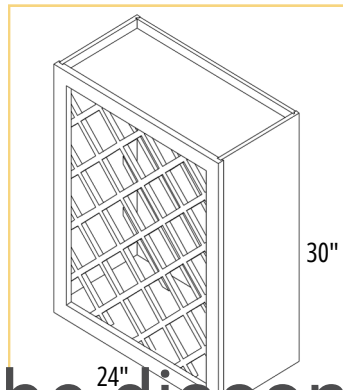
●	AM
●	SW
●	SG
●	SB
●	JG
●	CS
●	PW
●	AW
●	AG
●	SE
●	YC
●	CW

Wine Rack

Order Code: **WMR3018 + +3018RC WRC2430**



- Finished interior
- Can be used horizontally or vertically
- Can be used in a wall or base application

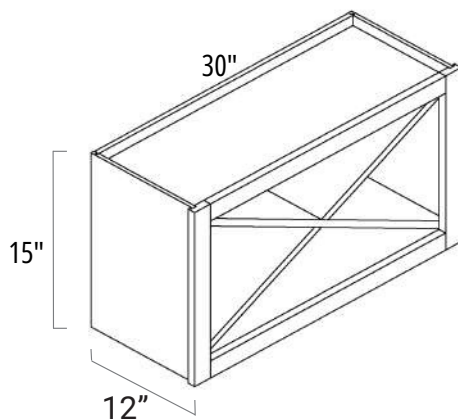


●	AM
●	SW
●	SG
●	SB
●	JG
●	CS
●	PW
●	AW
●	AG
●	SE
●	YC
●	CW

***WRC2430 will be discontinued**

Wine Rack

Order Code: **WRC3015**



- * Can be used as Towel Holder cabinet

*** WRC3015 will be discontinued**

	AM
●	SW
	SG
	SB
	JG
	CS
●	PW
	AW
●	AG
	SE
	YC
	CW

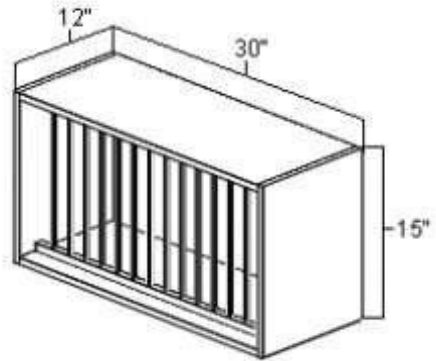
WALL CABINETS

Wall Plate Rack

Order Code: **PR3015**

- Can hold 10 plates

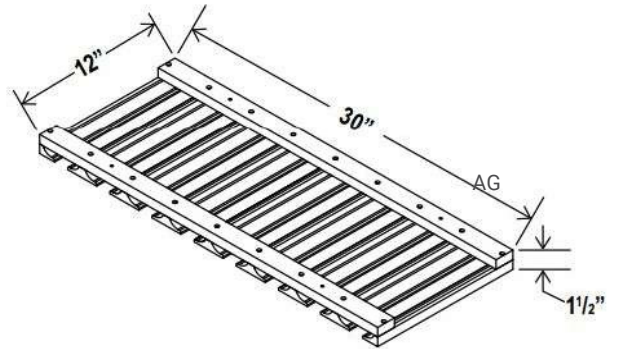
●	AM
●	SW
●	SG
●	SB
	JG
●	CS
●	PW
●	AW
●	AG
●	SE
●	YC
●	CW



Wine Glass Holder

Order Code: **SGH30**

●	AM
●	SW
●	SG
●	SB
●	JG
●	CS
●	PW
●	AW
●	AG
●	SE
●	YC
●	CW



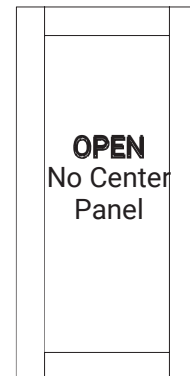
Cut Glass for Door *

Order Code: **GD WXX30**
GD WXX36
GD WXX42

- Glass not included

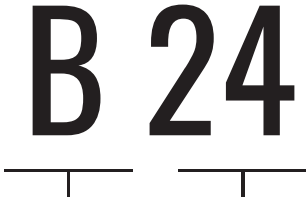
* Pls call for availability

	AM
●	SW
	SG
	SB
●	JG
●	CS
●	PW
	AW
●	AG
●	SE
●	YC
●	CW



CABINET IDENTIFICATION

The letter(s) represent the name of the cabinet, and the following set of numbers represents the width of the cabinet.



Whenever a base cabinet has all drawers and no doors, also known as a drawer base, the cabinet code will start with a number. This represents the number of drawers the cabinet has.



3 Drawers
Drawer Base Cabinet

All base cabinet order coding begins with the door order code Example: **AG BT9**

ORDER CODING

SPECIAL NOTES

- Base cabinetry is 24" deep less otherwise noted
- Single and bi-fold door base cabinetry is hinged on the right side of the face frame but can be flipped as necessary

AVAILABILITY KEY

●	Indicates availability
●	Indicates no availability



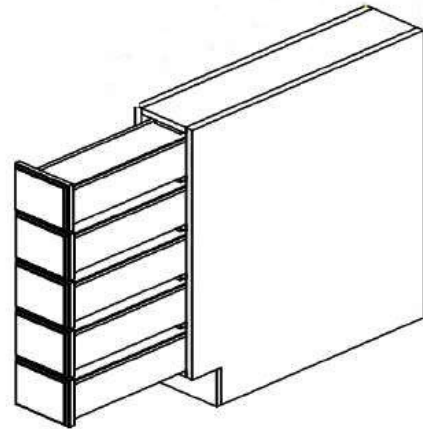
Look for the light bulb for helpful design tips!

BASE CABINETS

Base Spice Drawer

Order Code: **BSDC6**

	AM
●	SW
●	SG
●	SB
	JG
●	CS
●	PW
●	AW
●	AG
●	SE
●	YC
●	CW



The **BSDC6** is a great cabinet to use for kitchen towels, sponges, and bags, etc.

Base Single Door

Order Code: **BT6**

BT9 *

B12

B15

B18

B21

- One adjustable shelf

***We only make Full-Height-Door Base9**

●	AM
●	SW
●	SG
●	SB
●	JG
●	CS
●	PW
●	AW
●	AG
●	SE
●	YC
●	CW

34 1/2"



BT6 / /BT9 24"



The **BT9** is a great cabinet to use for storing trays, baking sheets, and cutting boards.

Base Double Door

Order Code: **B24**

B27

B30

B33

B36

B39*

B42*

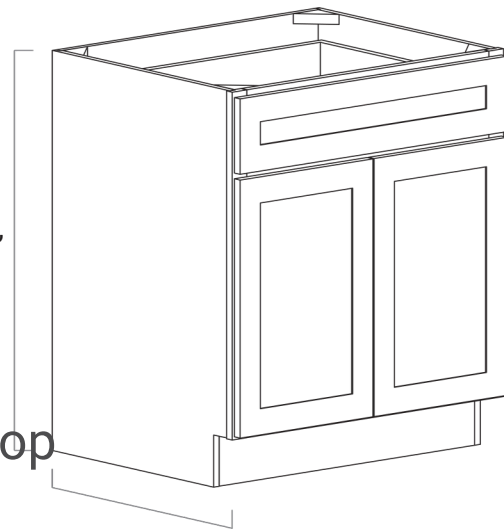
- One adjustable shelf

***Come with 2 drawers on the top**

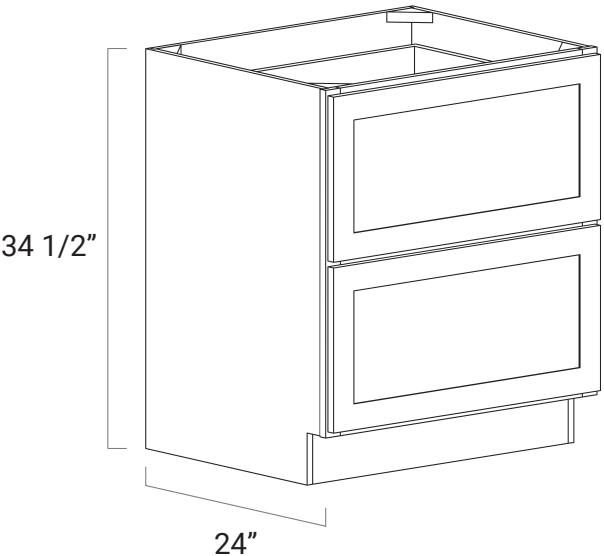
●	AM
●	SW
●	SG
●	SB
●	JG
●	CS
●	PW
●	AW
●	AG
●	SE
●	YC
●	CW

34 1/2"

24"



Two Drawer Base



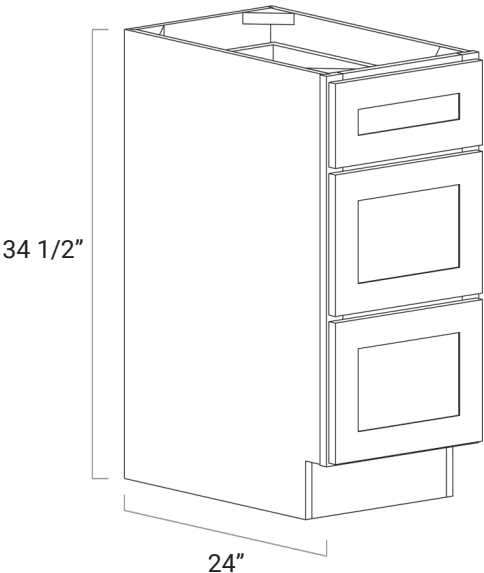
Order Code: **2DB30**
2DB33
2DB36

- Two deep drawers
- Heavy load-bearing, full extension glides
- Rated for 100 lbs.

●	AM
●	SW
●	SG
●	SB
●	JG
●	CS
●	PW
●	AW
●	AG
●	SE
●	YC
●	CW

Great for storing pots and pans near a cooking station. 


Three Drawer Base



Order Code: **3DB12**
3DB15 3DB18
3DB21 3DB24
3DB27 3DB30
3DB33 3DB36

- Three deep drawers
- Top drawer aligns with standard base cabinetry

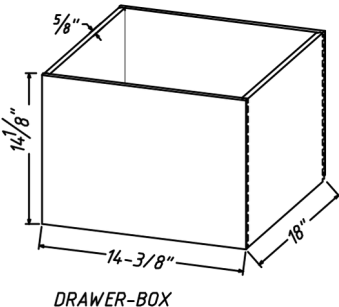
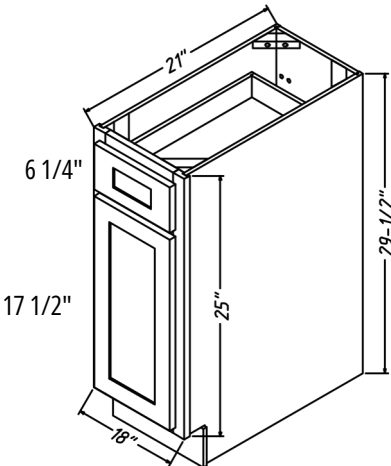
●	AM
●	SW
●	SG
●	SB
●	JG
●	CS
●	PW
●	AW
●	AG
●	SE
●	YC
●	CW

Wider drawer bases are great for storing utensils, pots, and pans near a cooking station. 

File Base 18

Order Code : **DFB18**

*** DFB18** will be discontinued



●	AM
●	SW
●	SG
●	SB
●	JG
●	CS
●	PW
●	AW
●	AG
●	SE
●	YC
●	CW

Perfect for making office desk out of it. 

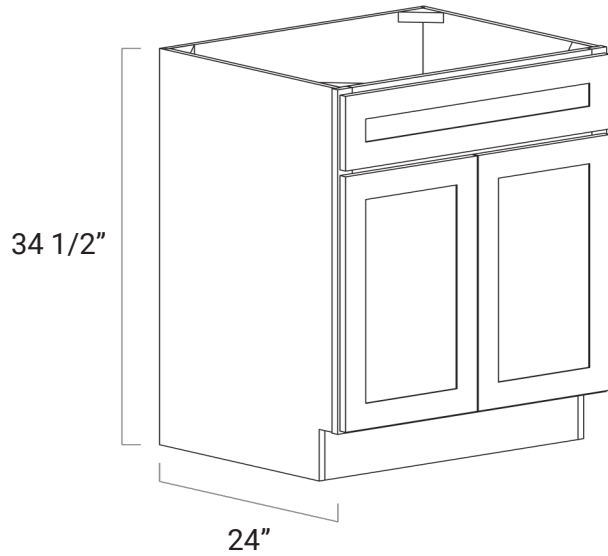
BASE CABINETS

Sink Base

Order Code: **SB30**
SB33
SB36

- False drawer front

●	AM
●	SW
●	SG
●	SB
●	JG
●	CS
●	PW
●	AW
●	AG
●	SE
●	YC
●	CW



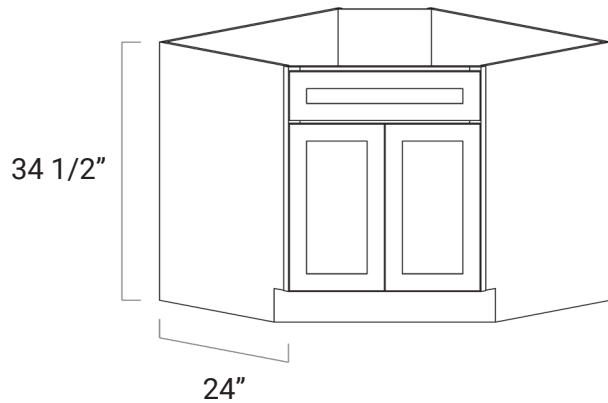
Pls check page24 for Farmer Sink Base

Sink Base Diagonal

Order Code: **DCSB42**

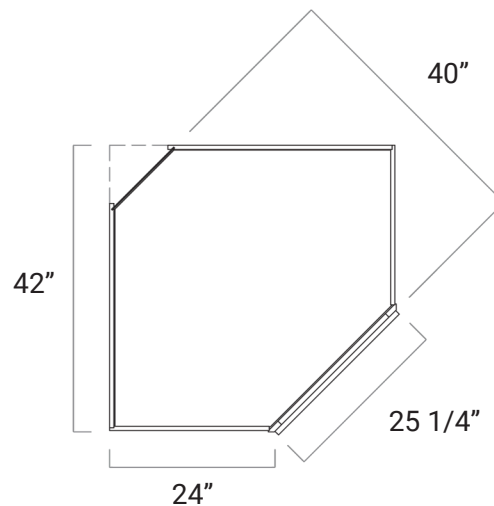
- False drawer
- front No shelf

●	AM
●	SW
●	SG
●	SB
	JG
●	CS
●	PW
●	AW
●	AG
●	SE
●	YC
●	CW

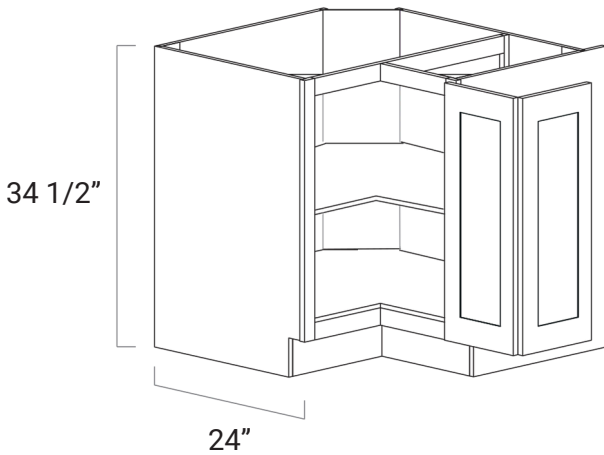


When using a corner sink application, it is recommended that a dishwasher be set at least 15" apart from the sink cabinet to allow for standing room and functionality.

TOP VIEW



Lazy Susan

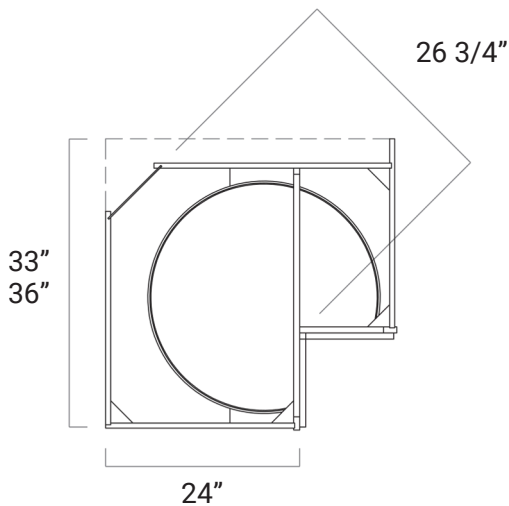


Order Code: **LSB33**
LSB36

- Full shelf
- Full height, bi-folding door
- Soft close not available
- Magnetic door catch attached
- Designed to prevent warpage

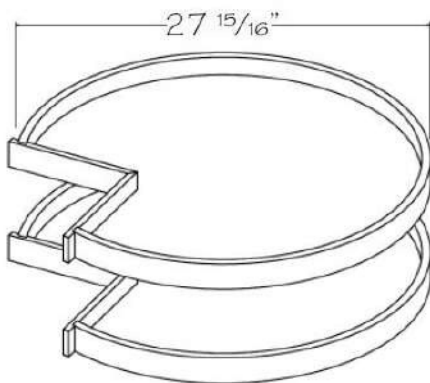
●	AM
●	SW
●	SG
●	SB
●	JG
●	CS
●	PW
●	AW
●	AG
●	SE
●	YC
●	CW

TOP VIEW



- * Wooden tray are not included, need to be purchased seperately.

When positioning against an appliance, such as a range or refrigerator, place the hinge on the opposite side of the appliance. This allows the door to open past 90 degrees for maximum cabinet access.



Order Code: **TB33-36**

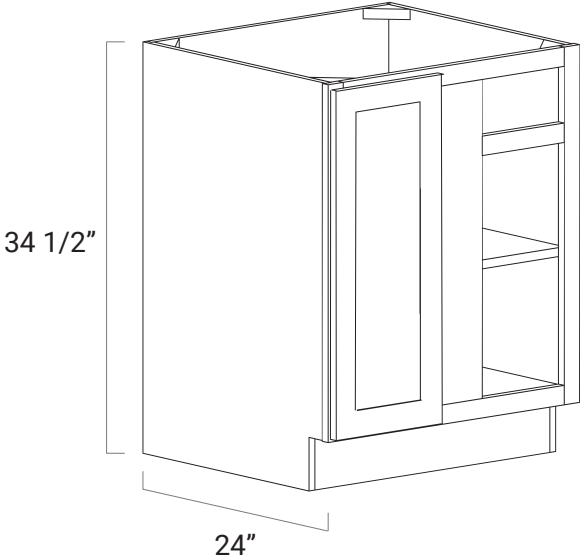
*Wooden tray is sold b

- Natural Wood Finish
- Rotating, pie-cut trays
- Trays are made of wood veneered plywood with a solid wood perimeter lip
- Undermount bearings allow for indepedent rotation and full access to trays

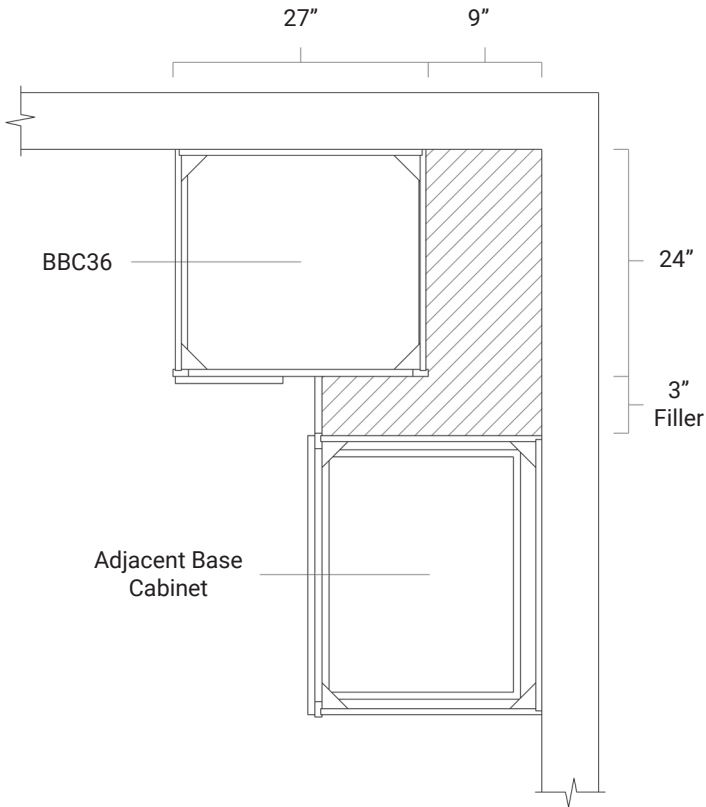
Base Blind Corner

Order Code: **BBC36**

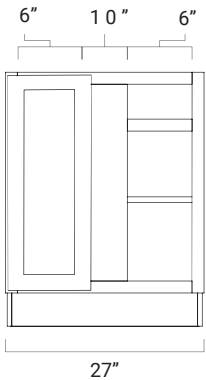
- 27" Wide
- One adjustable shelf
- Door and drawer can be flipped for left or right application
- Hinges are located on the center stile of the face frame and can be flipped as necessary
- Same size door, drawer, and door opening as **BT9**



INSTALLATION DIAGRAM (BBC39 SHOWN)



FACE FRAME OPENING DIMENSIONS



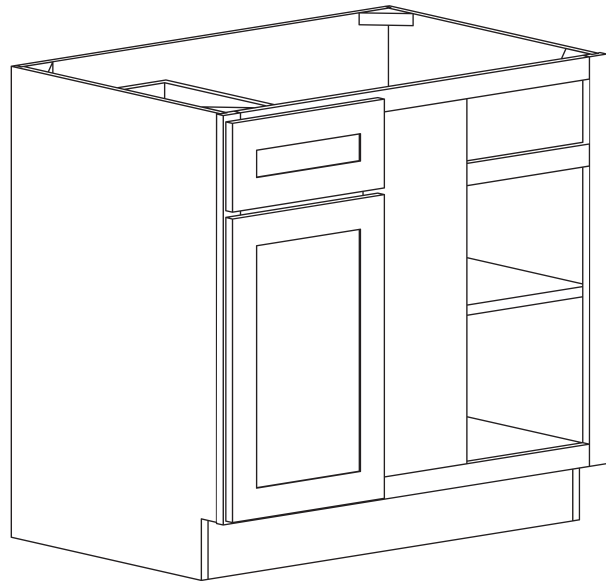
●	AM
●	SW
●	SG
●	SB
●	JG
●	CS
●	PW
●	AW
●	AG
●	SE
●	YC
●	CW

BASE CABINETS

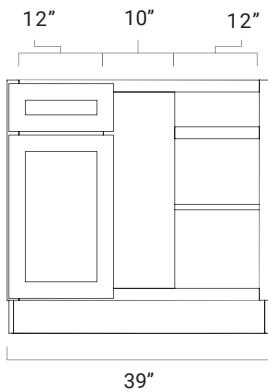
Base Blind Corner

Order Code: **BBC42**

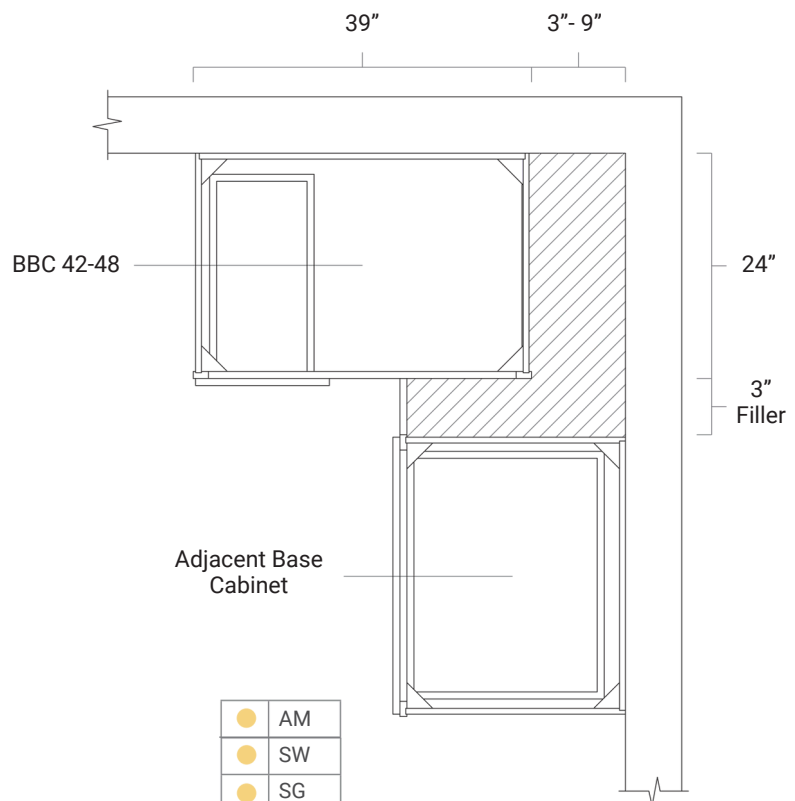
- One adjustable shelf
- Cabinet is 39" wide and must be pulled a minimum of 3" or a maximum of 9" from adjacent wall
- Door and drawer can be flipped for left or right application
- Hinges are located on the center stile of the face frame and can be flipped as necessary
- Same size door, drawer, and opening as **B15**



FACE FRAME
OPENING DIMENSIONS



INSTALLATION DIAGRAM



●	AM
●	SW
●	SG
●	SB
●	JG
●	CS
●	PW
●	AW
●	AG
●	SE
●	YC
●	CW

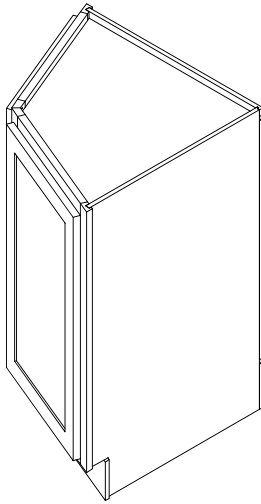


Can be pulled a minimum of 42" to a maximum of 48" We suggest to pull only up to 45"
Minimum and maximum pull includes cabinet width

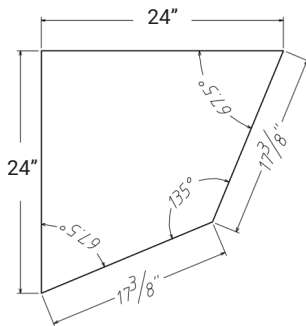
Angled End Base

Order Code: **BEC24**

- One adjustable shelf
- Full height door



TOP VIEW



<input type="checkbox"/>	AM
<input checked="" type="checkbox"/>	SW
<input checked="" type="checkbox"/>	SG
<input checked="" type="checkbox"/>	SB
<input type="checkbox"/>	JG
<input checked="" type="checkbox"/>	CS
<input checked="" type="checkbox"/>	PW
<input checked="" type="checkbox"/>	AW
<input checked="" type="checkbox"/>	AG
<input checked="" type="checkbox"/>	SE
<input checked="" type="checkbox"/>	YC
<input checked="" type="checkbox"/>	CW

* **BEC24** will be discontinued

NOTES

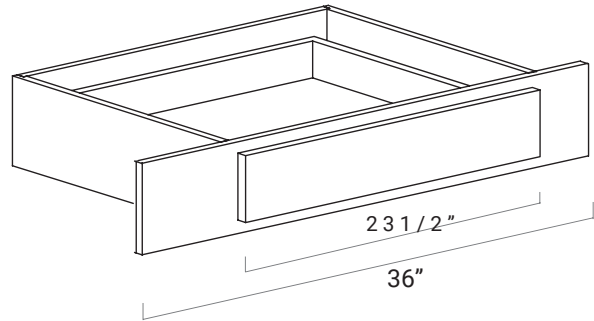
SPECIAL BASE CABINETS

Knee Drawer

Order Code: **VKD36**

- Extended stiles of face frame allow for drawer to be cut down to 24" wide
- Side-mount, epoxy glides only
- Beveled outside edge

●	AM
●	SW
●	SG
●	SB
●	JG
●	CS
●	PW
●	AW
●	AG
●	SE
●	YC
●	CW

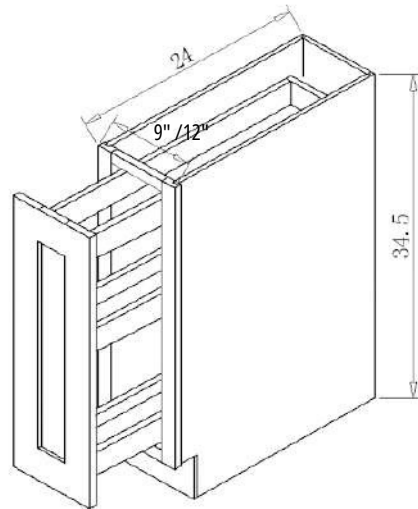


Base Spice Rack

Order Code: **BSPR9 BSPR12**

- 5-piece front
- Full extension glides without soft close
- Hardwood interior
- 20 5/8" shelf depth
- Requires decorative hardware to pull open
- Can hold a variety of spice container sizes

●	AM
●	SW
●	SG
●	SB
●	JG
●	CS
●	PW
●	AW
●	AG
●	SE
●	YC
●	CW

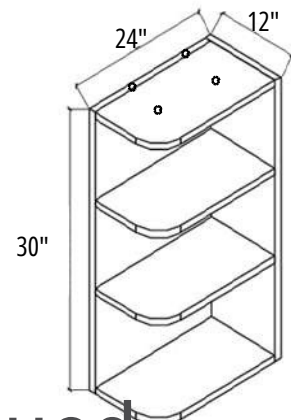


Base End Shelf

Order Code: **BOE12**

- Pre-assembled
- Stained or Painted to matching color
- Plywood Construction
- Loose TKC is included in the package
- Pre-drilled positioning hole for Loose TKC on TOP & BOTTOM

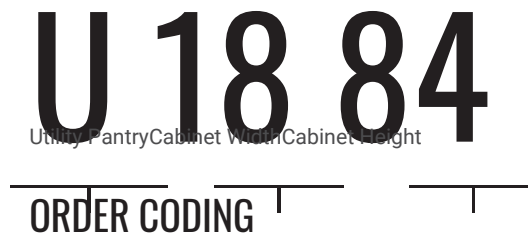
	AM
●	SW
●	SG
●	SB
	JG
●	CS
●	PW
●	AW
●	AG
●	SE
●	YC
●	CW



***BOE12 will be discontinued**

CABINET IDENTIFICATION

The letter or letters represent the type of cabinet, the first set of numbers represent the width of the cabinet, and the second set of numbers represents the height of the cabinet.



All tall cabinet order coding begins with door order code. Example: **SW U1884**

SPECIAL NOTE

- Tall cabinets are 24" deep

***Our tall pantry is divided into BOTT**

AVAILABILITY KEY

● ●	Indicates availability
□	Indicates no availability

TALL CABINETS

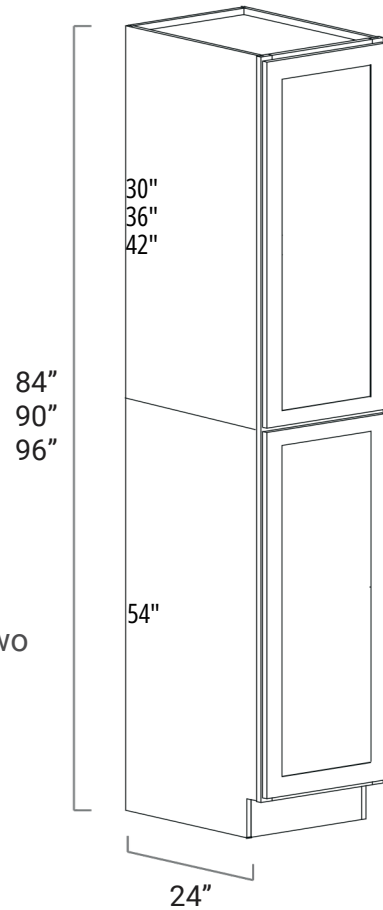
Utility Pantry Single Door

Order Code: **U1884 (U1854+ U1830)**
U1890 (U1854+ U1836)
U1896 (U1854+ U1842)

●	AM
●	SW
●	SG
●	SB
●	JG
●	CS
●	PW
●	AW
●	AG
●	SE
●	YC
●	CW

- Accepts 18" rollout trays
(RS18pg. 54) (ordered separately)
- Apply the SCR or BAM or USV2496 to cover the seam.

* Our tall pantry is divided into LOWER & UPPER two portions, height of bottom portion is fixed at 54"



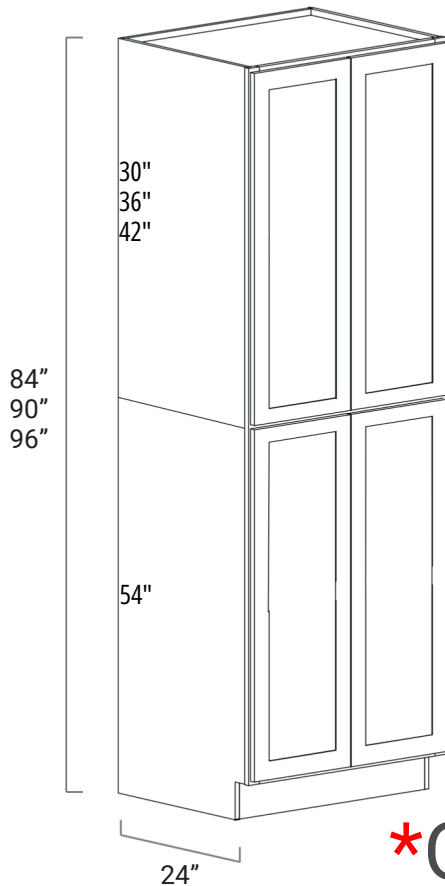
SKU	UPPER HEIGHTS	# OF SHELVES IN UPPER	# OF SHELVES IN LOWER
UP1884	30"	TWO	THREE
UP1890	36"	ONE	THREE
UP1896	42"	THREE	THREE

NOTES

• By Stacking different upper portion of pantry, you can creat a pantry with unusal heights

For Example :: U1870 (U1836+ U1830+ TKC)

U18118 (U1842+ U1836+ U1836+ TKC)



Utility Pantry Double Door

Order Code: **U2484(U 2454+ U2430)**
U2490(U2454+ U2436)
U2496(U2454+ U2442)
U3084(U3054+ U3030)
U3090(U 3054+ U3036)
U3096(U3054 + U3042)

●	AM
●	SW
●	SG
●	SB
●	JG
●	CS
●	PW
●	AW
●	AG
●	SE
●	YC
●	CW

- 24" wide pantries accept 24" rollout trays (RS24 pg. 54)
- 30" wide pantries accept 30" rollout trays (RS30 pg. 54)
- Apply the SCR or BAM or USV2496 to cover the seam.

*** Our tall pantry is divided into L**

SKU	UPPER HEIGHTS	# OF SHELVES IN UPPER	# OF SHELVES IN LOWER
U2484	30"	TWO	THREE
U2490	36"	TWO	THREE
U2496	42"	THREE	THREE
U3084	30"	TWO	THREE
U3090	36"	TWO	THREE
U3096	42"	THREE	THREE

NOTES 

•By Stacking different upper portion of pantry, you can creat a pantry with unusal heights

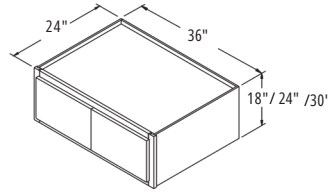
For Example :: U2470 (U2436+ U2430+ TKC)

U30118 (U3042+ U3036+ U3036+ TKC)

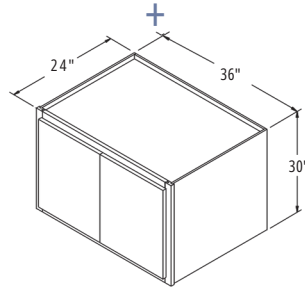
SPECIAL TALL CABINETS

36" Stacked Utility Pantry

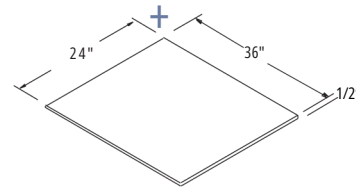
* Filler might be needed to reach expected height



Order Code:
W361824
W362424
W363024

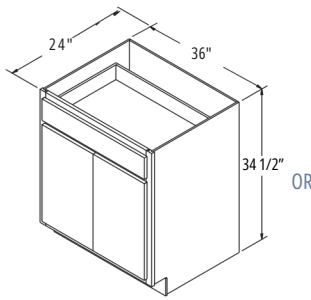


Order Code:
W363024



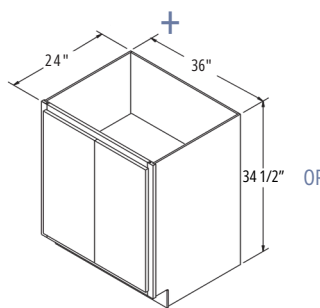
Order Code:
S2436

●	SW
●	SG
●	SB
●	JG
●	CS
●	PW
●	AW
●	AG
●	SE
●	YC
●	CW

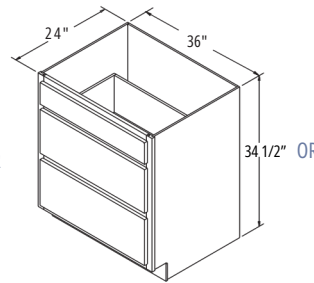


Order Code:

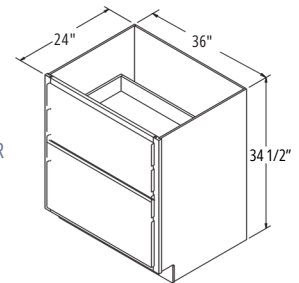
B36



FHB36



3DB36

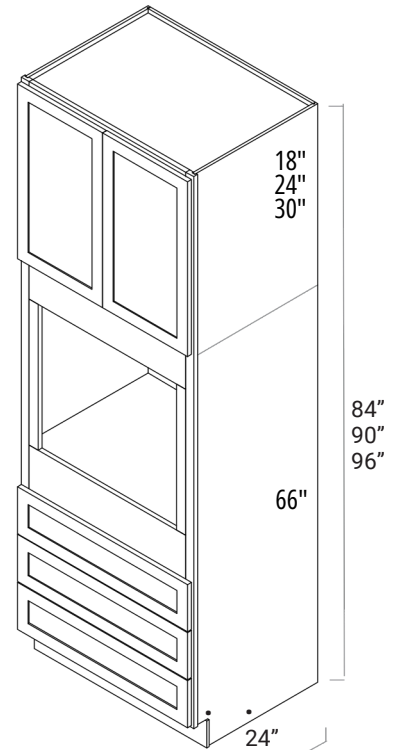


2DB36

Single Oven Cabinet

Order Code: **03384(O 3366+ 0331824)**
03390(O 3366 + 0332424)
03396(O3366+ 0333024)

●	SW
●	SG
●	SB
●	JG
●	CS
●	PW
●	AW
●	AG
●	SE
●	YC
●	CW



* Our Oven is divided into LOWER & UPPER two portions, height of bottom portion is fixed at 66"



CABINET IDENTIFICATION

The letter or letters represent the name of the cabinet, and the following set of numbers represents the width of the cabinet.



Vanity Sink Base Cabinet Cabinet Width
 Whenever a bath cabinet has all drawers and no doors, also known as a drawer base, the cabinet coding will start with a number. This represents the number of drawers the cabinet has.



3 Drawers Vanity Drawer Cabinet Width Base Cabinet




All bath cabinet order coding begins with the door order code. Example: AG VS30

ORDER CODING

SPECIAL NOTES

* Bath cabinetry is 34 1/2" high and 21" deep

AVAILABILITY KEY

 	Indicates availability
	Indicates no availability

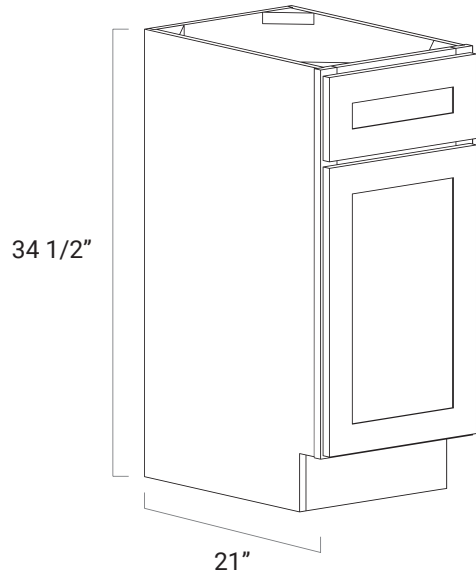
BATH CABINETS

Vanity Sink Base with 1 Door

Order Code: **VS18**
VS21

- No shelf
- For single bowl installation only
- One door
- Top drawer is a false door front

●	AM
●	SW
●	SG
●	SB
●	JG
●	CS
●	PW
●	AW
●	AG
●	SE
●	YC
●	CW

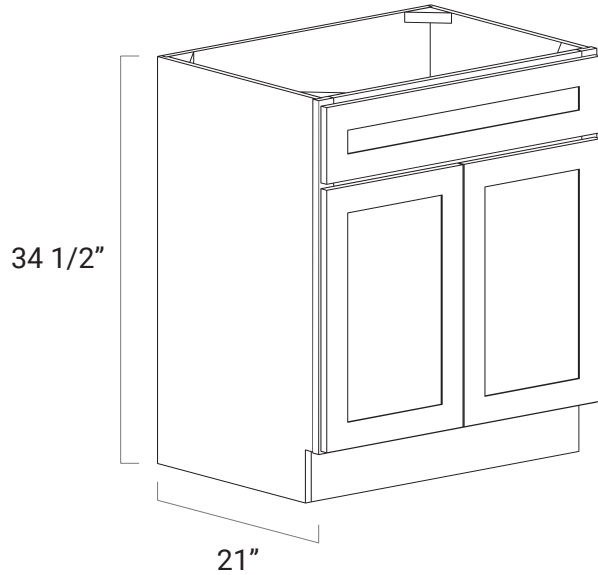


Vanity Sink Base with 2doors

Order Code: **VS24**
VS27
VS30
VS33

- No shelf
- For single bowl installation only
- Two doors
- Top drawer is a false door front

●	AM
●	SW
●	SG
●	SB
●	JG
●	CS
●	PW
●	AW
●	AG
●	SE
●	YC
●	CW



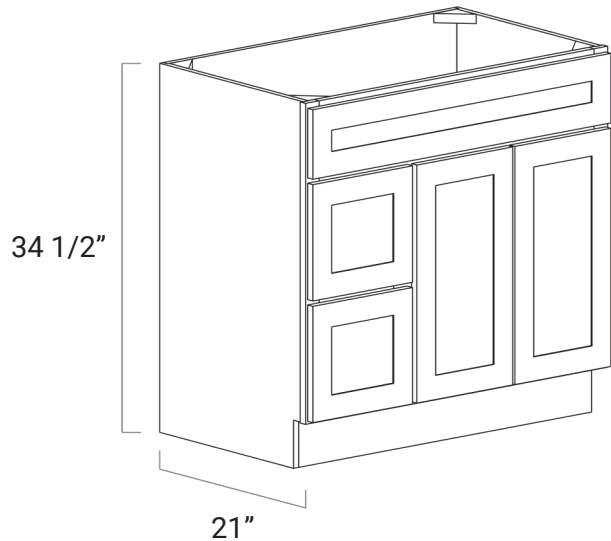
Vanity Combo Two Drawer / Door

Order Code: **V3021DL**
V3021DR (for right only)

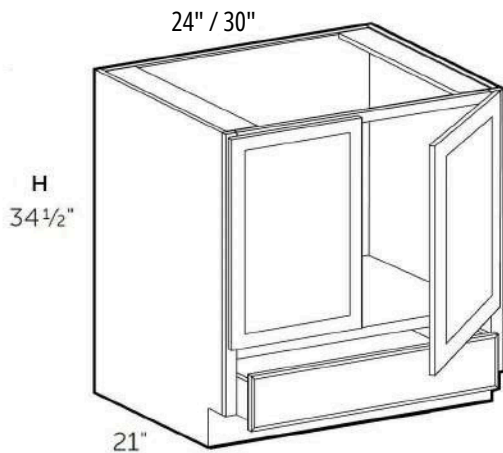
(shown) **V3621DL**
V3621DR

- No shelf
- For single bowl installation only
- Drawers remain a constant 12" wide
- Top drawer is a false drawer front
- Finished toe kick included (cut to size)

●	AM
●	SW
●	SG
●	SB
●	JG
●	CS
●	PW
●	AW
●	AG
●	SE
●	YC
●	CW



Bottom Drawer Vanity Base



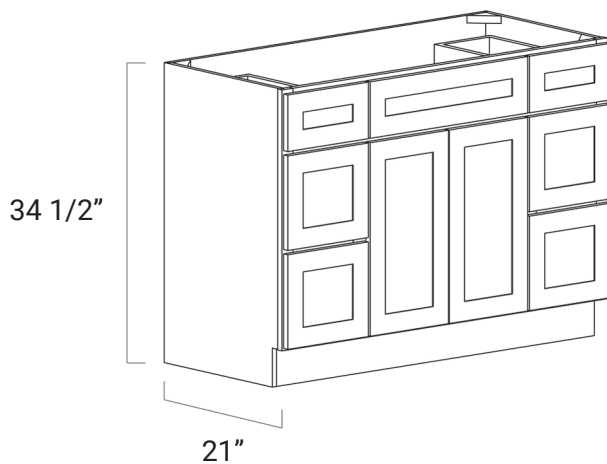
Order Code: **VSD24**
VSD27
VSD30

* **VSD** will be discontinued

	AM
●	SW
●	SG
●	SB
	JG
●	CS
●	PW
●	AW
●	AG
●	SE
●	YC
●	CW

- One Functioning Drawer at the bottom
- * Can be easily modified to be vanity base 24 or 30

Vanity Combo Six Drawer / Two Door



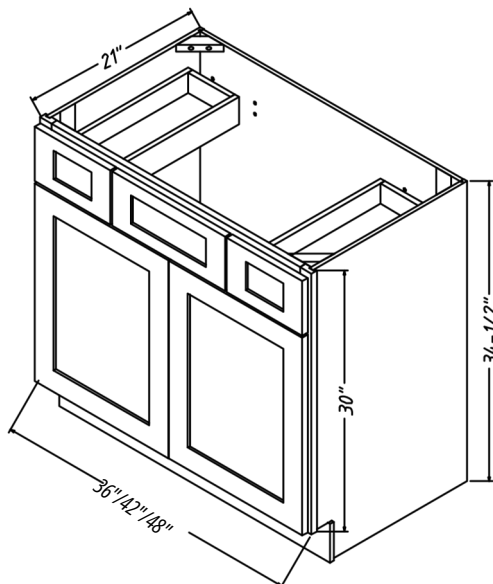
Order Code: **Vddb48**

* **Vddb48** will be discontinued

- No shelf
- For single bowl installation only
- Drawers remain a constant 12" wide
- Top middle drawer is a false drawer front
- Finished toe kick included (cut to size)

	AM
●	SW
●	SG
●	SB
	JG
●	CS
●	PW
●	AW
●	AG
●	SE
●	YC
●	CW

Vanity Base With Drawers On Top



Order Code: **VSD36**
VSD42
VSD48

* **VSD** will be discontinued

●	SW
●	SG
●	SB
	JG
●	CS
●	PW
●	AW
●	AG
●	SE
●	YC
●	CW

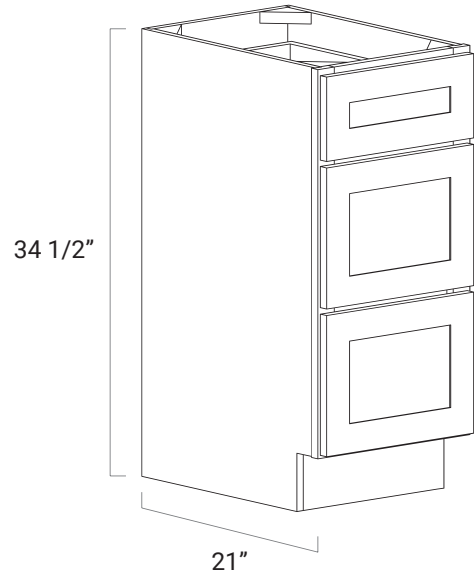
BATH CABINETS

Vanity Base Three Drawer

Order Code: **3VDB12**
3VDB15
3VDB18
3VDB21
3VDB24
3VDB27

- Two deep drawers
- Top drawer aligns with standard base cabinetry

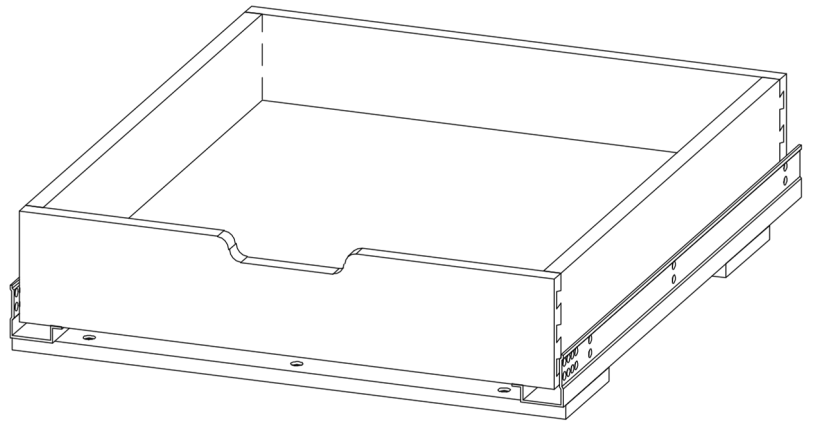
●	AM
●	SW
●	SG
●	SB
●	JG
●	CS
●	PW
●	AW
●	AG
●	SE
●	YC
●	CW



Vanity Roll Out

Order Code: **SBROXX**

- Pre-assembled, Hand Polished
- 3/4" thick, solid wood
- Under Mount Rail



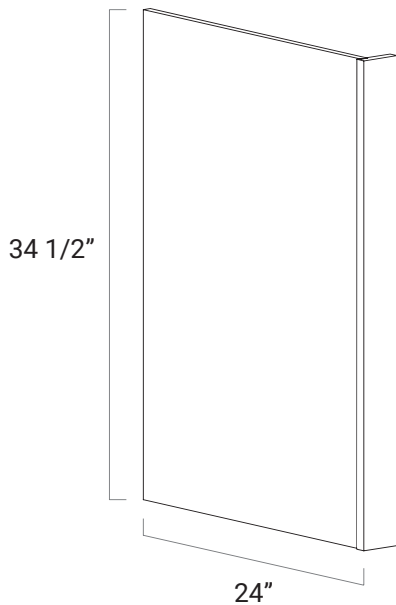
Model No.	Net Width (W1)	Width with Rail (W2)
SY-SBRO24	20" (508mm)	20-5/8" (524mm)
SY-SBRO27	23" (584mm)	23-5/8" (600mm)
SY-SBRO30	26" (660mm)	26-5/8" (676mm)
SY-SBRO33	29" (736mm)	29-5/8" (752mm)
SY-SBRO36	32" (812mm)	32-5/8" (828mm)

ORDER CODING

All panel and skin order coding begins with door order code. Example: **PW DWR**

SPECIAL NOTES

- Consider grain direction when designing
- Use **BAM**, **OCM** and **SCR** to finish seams, end of runs, and corners where panels meet



Dishwasher Panel

Order Code: **DWR**

- Intended for use next to a dishwasher
- 3/4" thick, veneered plywood panel, finished on outside
- Panel bored for assembly along one unfinished side
- 3/4" thick, solid wood return filler, finished on front and sides

●	AM
●	SW
●	SG
●	SB
●	JG
●	CS
●	PW
●	AW
●	AG
●	SE
●	YC
●	CW

TOP VIEW



PANELS AND SKINS

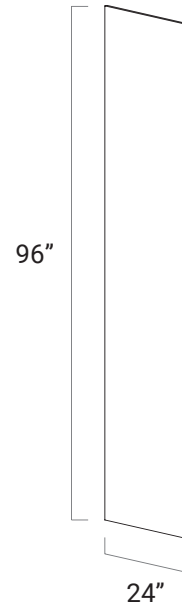
Refrigerator Panel

Order Code: **REPV2496**

F1.5



●	AM
●	SW
●	SG
●	SB
●	JG
●	CS
●	PW
●	AW
●	AG
●	SE
●	YC
●	CW



- Intended for use next to or flanking a refrigerator to conceal sides and support wall cabinetry above the appliance
 - 1/2" thick, veneered plywood panel, finished on both sides
- Panel bored for assembly along one side
 - 3/4" thick, solid wood return filler, finished on front and sides

***F1.5** needs to be ordered seperately.

TOP VIEW



Refrigerator panels can be cut to fit in the field and used as a shelving solution for many design situations.

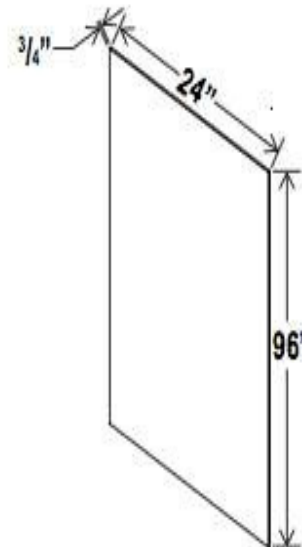


Matching Color Shelf Board

Order Code: **S2496**

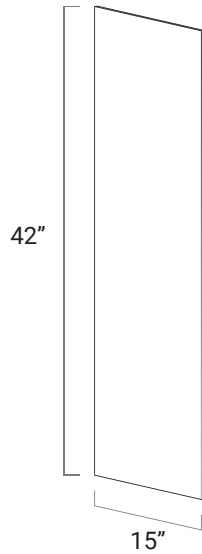
- Both Sides are finished
- All Edges are finished
- 3 / 4 " Thick

●	AM
●	SW
●	SG
●	SB
●	JG
●	CS
●	PW
●	AW
●	AG
●	SE
●	YC
●	CW



(* For stained finish, construction is either veneered plywood or MDF core. For painted finish, construction is MDF core.

PANELS AND SKINS



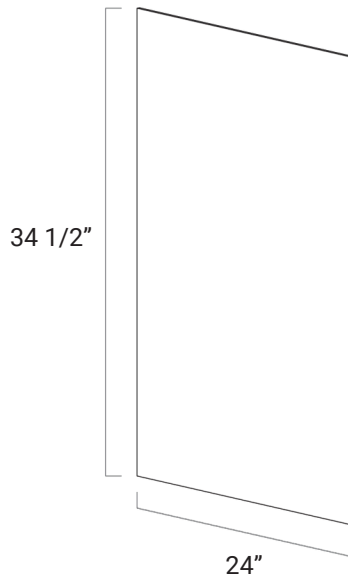
Wall Skin*

Order Code: **W SV42**

- 1/4" thick
- One finished side
- Intended for skinning sides of wall cabinetry
- Cut width and height to fit
- Used to make sure side of cabinet is flush with frame

●	AM
●	SW
●	SG
●	SB
●	JG
●	CS
●	PW
●	AW
●	AG
●	SE
●	YC
●	CW

Use **WSV42** to flush sides before applying a decorative wall false door.



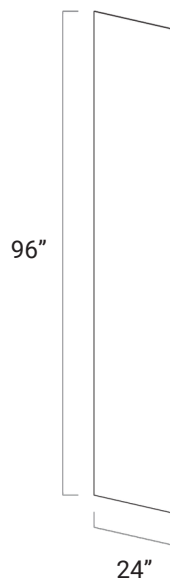
Base Skin*

Order Code: **BSV**

- 1/4" thick
- One finished side
- Intended for skinning sides of base cabinetry
- Cut width and height to fit
- Notch for toe kick in field as necessary
- Used to make sure side of cabinet is flush with frame

●	AM
●	SW
●	SG
●	SB
●	JG
●	CS
●	PW
●	AW
●	AG
●	SE
●	YC
●	CW

Use **BSV** to flush sides before applying a decorative base false door.



Tall Skin*

Order Code: **USV2496**

- 1/4" thick
- One finished side
- Intended for skinning sides of tall cabinetry
- Cut width and height to fit
- Notch for toe kick in field as necessary
- Used to make sure side of cabinet is flush with frame

●	AM
●	SW
●	SG
●	SB
●	JG
●	CS
●	PW
●	AW
●	AG
●	SE
●	YC
●	CW

Use **USV42** to flush sides before applying a decorative pantry false door.



PANELS AND SKINS

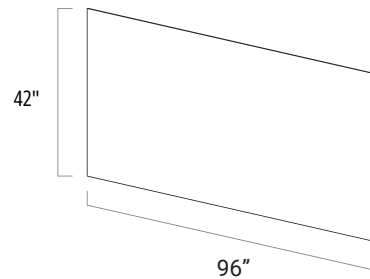
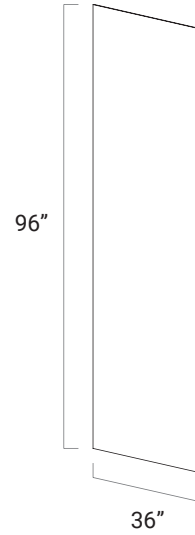
(*) For stained finish, construction is either veneered plywood or MDF core. For painted finish, construction is MDF core.

Island Back Skin*

Order Code: **FPV3696**
FPV4296

- 1/4" thick
- One finished side
- Intended for skinning exposed backs of peninsulas, islands, and other design applications

●	AM
●	SW
●	SG
●	SB
●	JG
●	CS
●	PW
●	AW
●	AG
●	SE
●	YC
●	CW

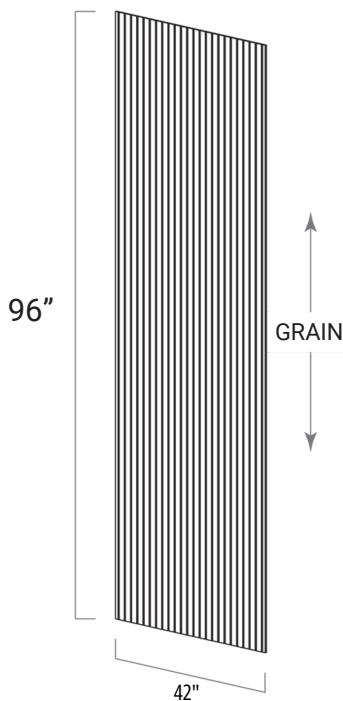


Island Back Skin Beadboard*

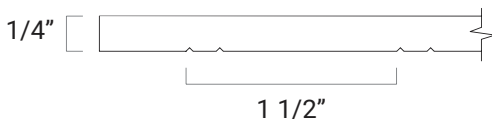
Order Code: **BBFPV4296**


- 1/4" thick
- One finished side
- Intended for skinning exposed backs of peninsulas, islands, or exposed sides of cabinetry
- A bead pattern is created by two routed grooves in the finished side of the skin
- Panels require trimming in the field

	AM
●	SW
	SG
	SB
	JG
●	CS
●	PW
	AW
	AG
●	SE
●	YC
●	CW

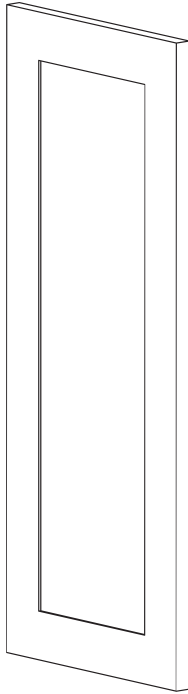


TOP VIEW



When butting two panels side-by-side, disguise the cut in a routed groove or apply **BAM** (pg. 46) for seam coverage. 

(*) For stained finish, construction is either veneered plywood or MDF core. For painted finish, construction is MDF core.



Wall Decorative Door**

Order Code: **WDEP30**
WDEP36
WDEP42

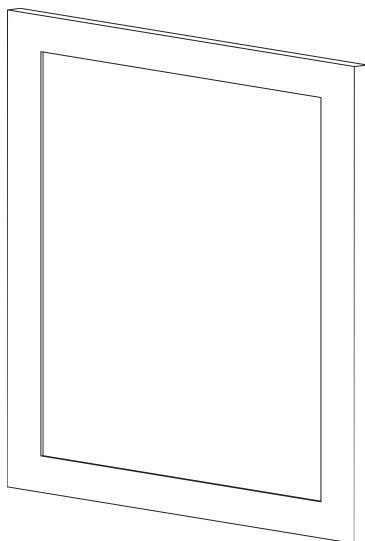
- False door matches ordered door style
- 3/4" thick, decorative door panel for finishing sides of exposed cabinetry
- Back of the panel is flat and requires a **WSV42** (pg. 39) to sit flush on cabinet side

ACTUAL DOOR SIZES

SKU	WIDTH	HEIGHT	DEPTH
WDEP30	11 1/2"	29 1/2"	3/4"
WDEP36	11 1/2"	35 1/2"	3/4"
WDEP42	11 1/2"	41 1/2"	3/4"

●	AM
●	SW
●	SG
●	SB
●	JG
●	CS
●	PW
●	AW
●	AG
●	SE
●	YC
●	CW

(**) There is a plus or minus 1/4" tolerance on **WDEP** Use to finish the backs of islands for a complete design.



Base Decorative Door**

Order Code: **BDEP /TDEP30**

- False door matches ordered door style
- 3/4" thick, decorative door panel for finishing sides of exposed cabinetry
- Back of the panel is flat and requires a **BSV** (pg. 39) to sit flush on cabinet side

ACTUAL DOOR SIZES

SKU	WIDTH	HEIGHT	DEPTH
BDEP23	11 1/2"	29 1/2"	3/4"

●	AM
●	SW
●	SG
●	SB
●	JG
●	CS
●	PW
●	AW
●	AG
●	SE
●	YC
●	CW

(**) There is a plus or minus 1/4" tolerance on **BDEP** Use to finish the backs of islands for a complete design.



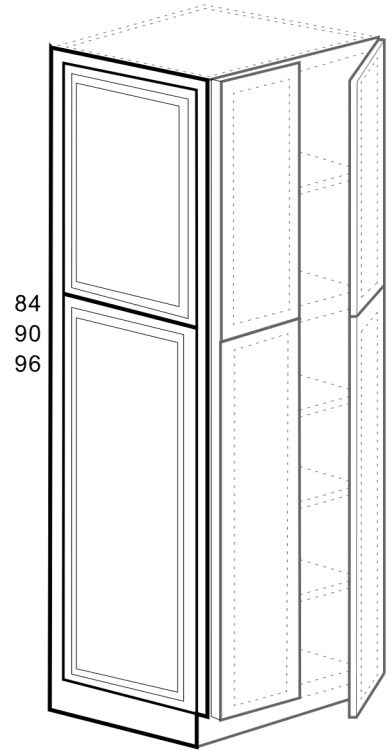
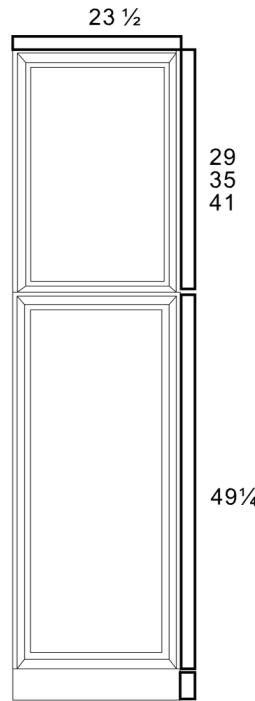
PANELS AND SKINS

Pantry Decorative Door**

Order Code: **TDEP2484** (TDEP2454+TDEP2430)
TDEP2490 (TDEP2454+TDEP2436)
TDEP2496 (TDEP2454+TDEP2442)

- False door matches ordered door style
- 3/4" thick, decorative door panel for finishing sides of exposed cabinetry
- Back of the panel is flat and requires a **USV2496** to sit flush on cabinet side

●	AM
●	SW
●	SG
●	SB
●	JG
●	CS
●	PW
●	AW
●	AG
●	SE
●	YC
●	CW



(**) There is a plus or minus 1/4" tolerance on **TDEP** Use to finish the backs of islands for a complete design.

Vanity Base Decorative Door**

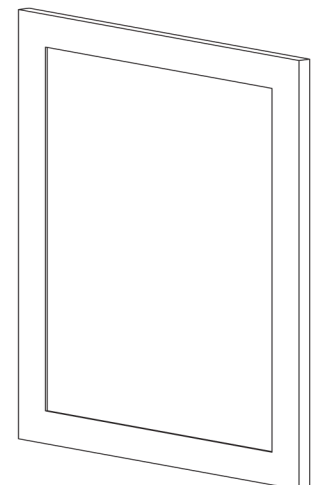
Order Code: **VDEP/W2130-D**

- False door matches ordered door style
- 3/4" thick, decorative door panel for finishing sides of exposed cabinetry
- Back of the panel is flat and requires a **BSV** to sit flush on cabinet side

ACTUAL DOOR SIZES

SKU	WIDTH	HEIGHT	DEPTH
VDEP20	1/2"	29 1/2"	3/4"

●	AM
●	SW
●	SG
●	SB
●	JG
●	CS
●	PW
●	AW
●	AG
●	SE
●	YC
●	CW

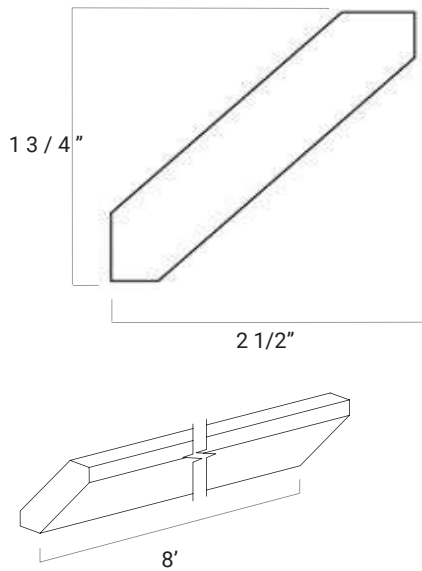


ORDER CODING

All molding and trim order coding begins with door order code. Example: **PW CM8**

MOLDING CONSTRUCTION KEY

Solid wood




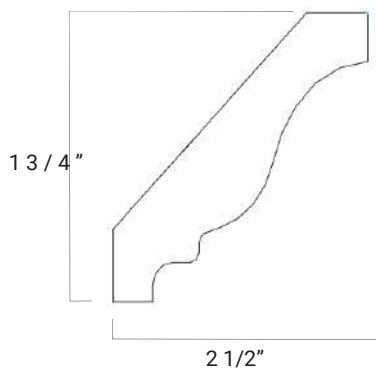
Angled Crown Molding

Order Code: **ACM8**

- Solid wood
- Molding comes in a single 8' piece

	AM
●	SW
	SG
	SB
	JG
●	CS
	PW
	AW
	AG
●	SE
	YC
●	CW

Can be installed flat for 3/4" smaller molding or flat as 3/4" light rail 



Crown Molding

Order Code: **CM8**

- Solid wood
- Molding comes in a single 8' piece

●	AM
●	SW
●	SG
●	SB
●	JG
●	CS
●	PW
●	AW
●	AG
●	SE
●	YC
●	CW

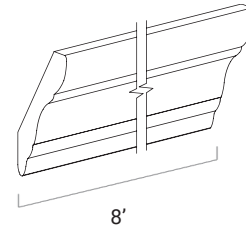
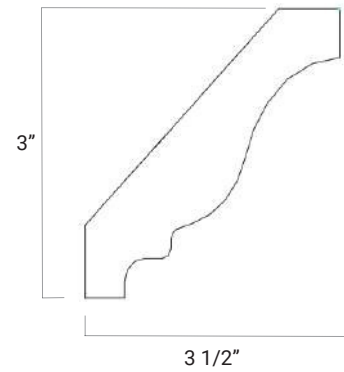
MOLDING AND TRIM

Decorative Crown Molding

Order Code: **DCM**

- Solid wood
- Molding comes in a single 8' piece

●	AM
●	SW
●	SG
●	SB
●	JG
●	CS
●	PW
●	AW
●	AG
●	SE
●	YC
●	CW

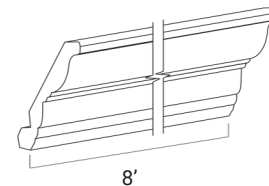
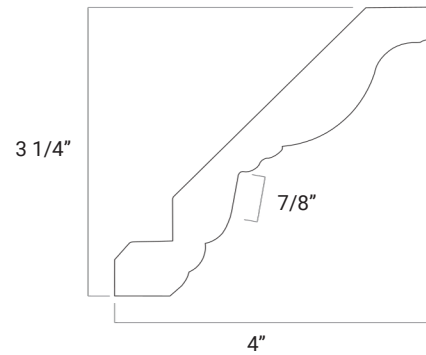


Insert Crown Molding

Order Code: **ICM**

- Solid wood
- Molding comes in a single 8' piece
- 7/8" section accepts applied decorative inserts

●	AM
●	SW
●	SG
●	SB
●	JG
●	CS
●	PW
●	AW
●	AG
●	SE
●	YC
●	CW

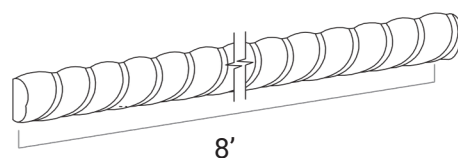
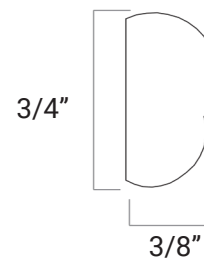


Rope Molding

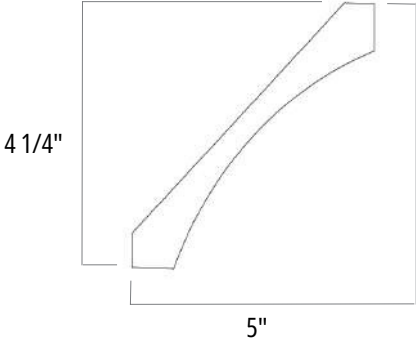
Order Code: **ROPE**

- Solid wood
- Molding comes in a single 8' piece

●	AM
●	SW
	SG
	SB
	JG
●	CS
●	PW
●	AW
●	AG
●	SE
●	YC
●	CW



Can be applied to **ICM**.



Cove Molding

Order Code: **COV**

- Solid wood
- Molding comes in a single 8' piece
- Contemporary Style

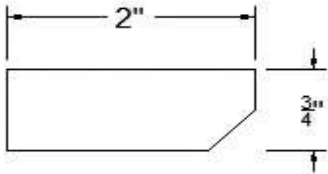
●	AM
●	SW
●	SG
	SB
	JG
●	CS
●	PW
●	AW
●	AG
●	SE
●	YC
●	CW

*SG has COV2.5 and COV 3

Countertop Edge Molding

Order Code: **CTM8**

- Solid wood
- Molding comes in a single 8' piece



●	AM
●	SW
	SG
●	SB
●	JG
	CS
●	PW
●	AW
●	AG
	SE
	YC
	CW

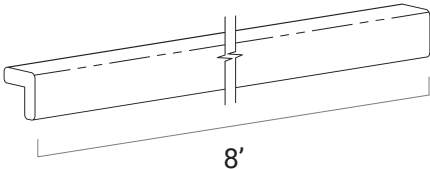
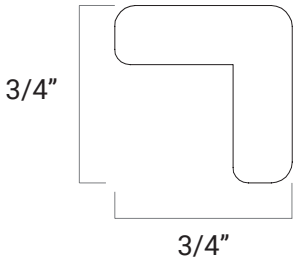
*CTM8 also can be used as Light Rail Molding, or Crown Molding, or Edge Molding for skinning the wall bottom



Outside Corner Molding

Order Code: **OCM**

- Solid wood
- Molding comes in a single 8' piece



●	AM
●	SW
●	SG
●	SB
●	JG
●	CS
●	PW
●	AW
●	AG
●	SE
●	YC
●	CW

Intended to finish outside corners concealing the seams where two skins or panels meet.



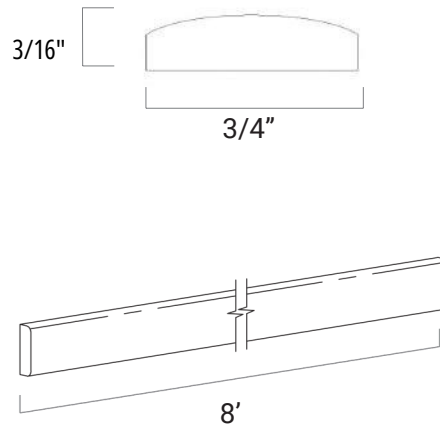
MOLDING AND TRIM

Batten Molding

Order Code: **BAM**

- Solid wood
- Molding comes in a single 8' piece

●	AM
●	SW
●	SG
●	SB
	JG
●	CS
●	PW
●	AW
●	AG
●	SE
●	YC
●	CW



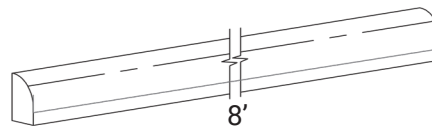
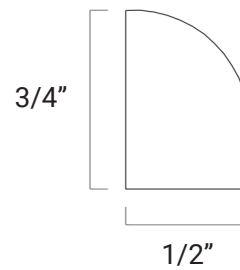
Intended to finish seams where two skins or panels meet.

Shoe Molding

Order Code: **SHM**

- Solid wood
- Molding comes in a single 8' piece

●	AM
●	SW
●	SG
●	SB
●	JG
●	CS
●	PW
●	AW
●	AG
●	SE
●	YC
●	CW



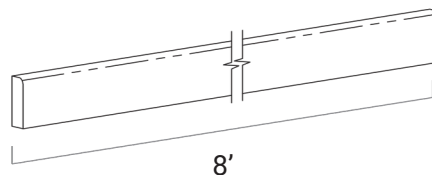
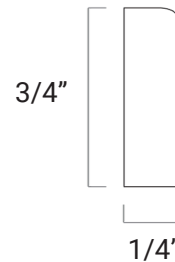
Intended to finish the base of cabinetry, backs of islands, or peninsulas where skin or toe kick meets flooring.

Scribe Molding

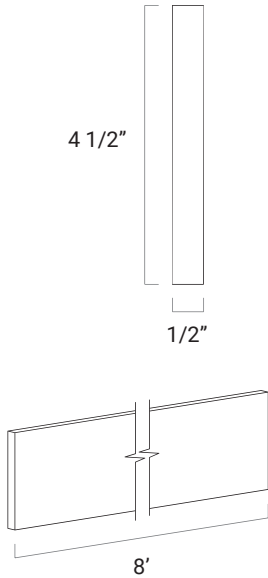
Order Code: **SCR**

- Solid wood
- Molding comes in a single 8' piece

●	AM
●	SW
●	SG
●	SB
●	JG
●	CS
●	PW
●	AW
●	AG
●	SE
●	YC
●	CW



Toe Kick

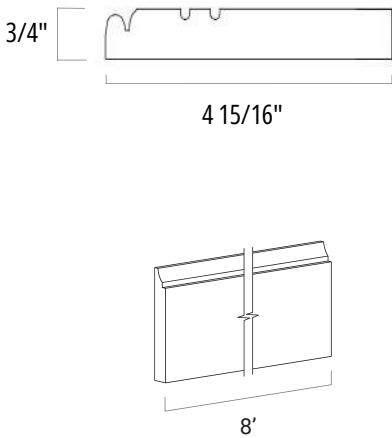


Order Code: **TK8**

- 1/4" thick, veneered plywood
- Molding comes in a single 8' piece

●	AM
●	SW
●	SG
●	SB
●	JG
●	CS
●	PW
●	AW
●	AG
●	SE
●	YC
●	CW

Furniture Base Molding

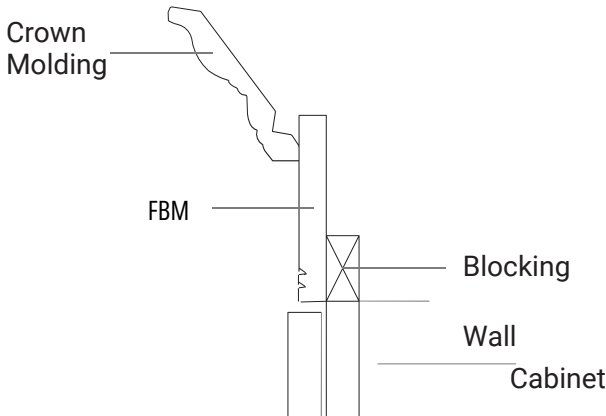


Order Code: **FBM**

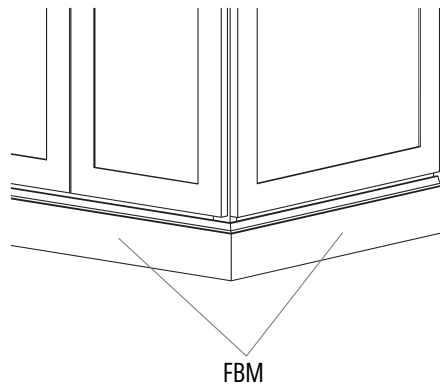
- Solid wood
- Designed for use as a decorative baseboard, or a starter molding for stacking crown to the ceiling

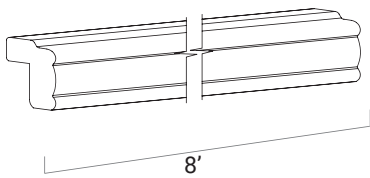
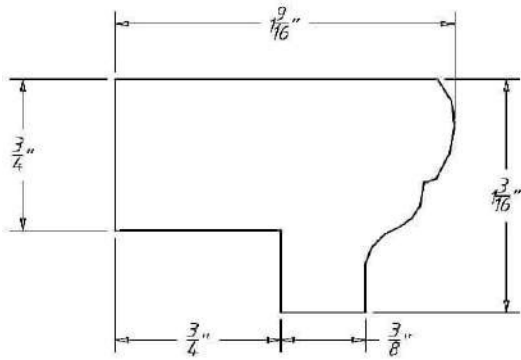
●	AM
●	SW
●	SG
●	SB
●	JG
●	CS
●	PW
●	AW
●	AG
●	SE
●	YC
●	CW

CROWN INSTALL DIAGRAM



BASE INSTALL DIAGRAM





Traditional Light Rail

Order Code: **LRM**

- Solid wood
- Molding comes in a single 8' piece
- Light rail is intended to be applied to the bottom of a wall cabinet

	AM
●	SW
●	SG
●	SB
●	JG
●	CS
●	PW
●	AW
●	AG
●	SE
●	YC
●	CW

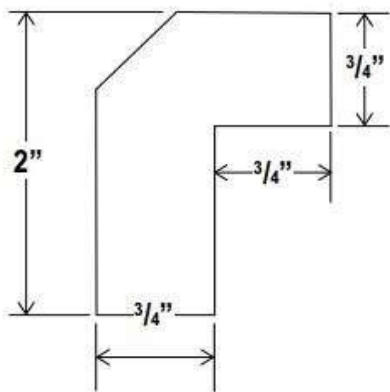
LRM can be inverted and used as a unique top molding as well.



Traditional Angled Light Rail

Order Code: **ALRM**

- Solid wood
- Molding comes in a single 8' piece
- Light rail is intended to be applied to the bottom of a wall cabinet



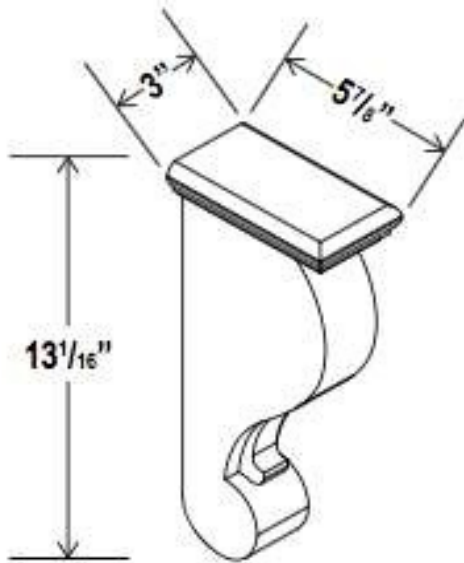
*** ALRM will be discontinued**

	AM
●	SW
	SG
	SB
	JG
	CS
	PW
●	AW
	AG
●	SE
	YC
	CW

Classic Corbel

Order Code: **CBT**

• Solid wood

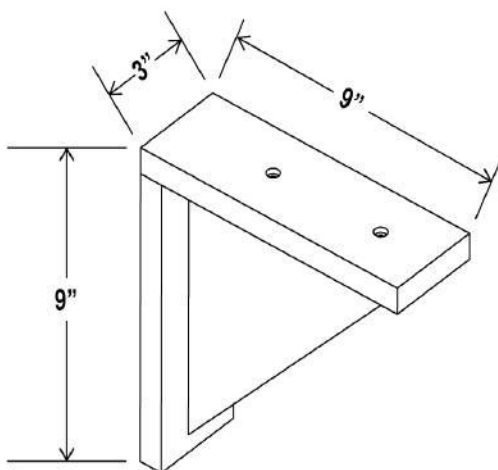


●	AM
●	SW
●	SG
●	SB
●	JG
●	CS
●	PW
●	AW
●	AG
●	SE
●	YC
●	CW

Simple Corbel

Order Code: **CB9**

• Solid wood



●	AM
●	SW
●	SG
●	SB
●	JG
●	CS
●	PW
●	AW
●	AG
●	SE
●	YC
●	CW

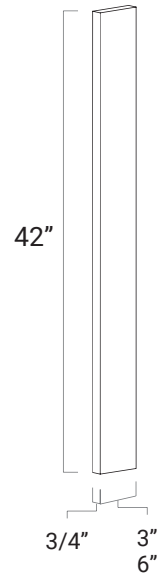
MOLDING AND TRIM

3" Wall Filler

Order Code: **WF342**

- Solid wood
- Also used as wall and tall filler • Finished on all sides

●	AM
●	SW
●	SG
●	SB
●	JG
●	CS
●	PW
●	AW
●	AG
●	SE
●	YC
●	CW

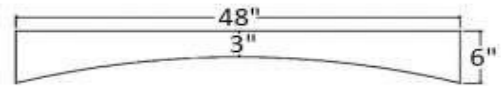


Arched Valance

Order Code: **VA48**

- Solid wood
- Can be cut down on either side

●	AM
●	SW
●	SG
●	SB
●	JG
●	CS
●	PW
●	AW
●	AG
●	SE
●	YC
●	CW

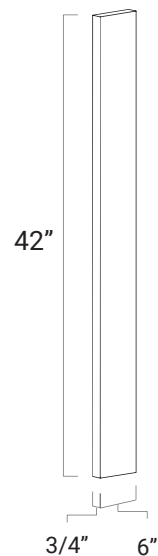


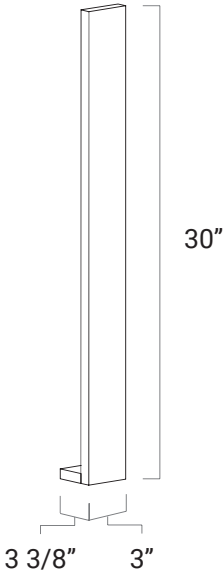
6" Wall Filler

Order Code: **WF642**

- 3/4" thick solid wood
- Finished front and sides
- Cut width/height to fit as necessary

●	AM
●	SW
●	SG
●	SB
●	JG
●	CS
●	PW
●	AW
●	AG
●	SE
●	YC
●	CW





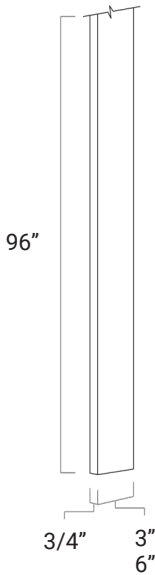
Base Filler

Order Code: **BF336**

- 3/4" thick solid wood
- Finished front, back, and sides
- Cut width/height to fit as necessary
- Must be used with full overlay door to prevent doors and hardware from binding on adjacent walls, deeper adjacent cabinetry, or corner applications

●	AM
●	SW
●	SG
●	SB
●	JG
●	CS
●	PW
●	AW
●	AG
●	SE
●	YC
●	CW

Order **WF342** (pg. 50) for base filler applications not requiring the attached toe kick.



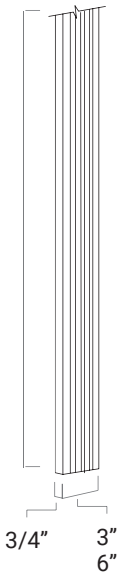
Tall Filler

Order Code: **TF396**
TF696

- 3/4" thick solid wood
- Finished front and sides
- Cut width/height to fit as necessary
- Must be used with full overlay door to prevent doors and hardware from binding on adjacent walls, deeper adjacent cabinetry, or corner applications

●	AM
●	SW
●	SG
●	SB
●	JG
●	CS
●	PW
●	AW
●	AG
●	SE
●	YC
●	CW

Can be used as starter molding to build crown to the ceiling.



Tall Flute Filler

Order Code: **FF396**

- 3/4" thick solid wood
- Finished front and sides
- Cut width/height to fit as necessary
- Must be used with full overlay door to prevent doors and hardware from binding on adjacent walls, deeper adjacent cabinetry, or corner applications

●	AM
●	SW
●	SG
●	SB
	JG
●	CS
●	PW
●	AW
●	AG
●	SE
●	YC
●	CW

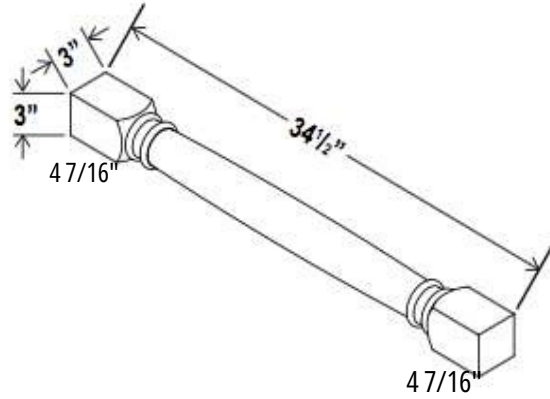
MOLDING AND TRIM

Decorative Leg

Order Code: **CLDL**

- Solid wood

●	AM
●	SW
●	SG
●	SB
●	JG
●	CS
●	PW
●	AW
●	AG
●	SE
●	YC
●	CW

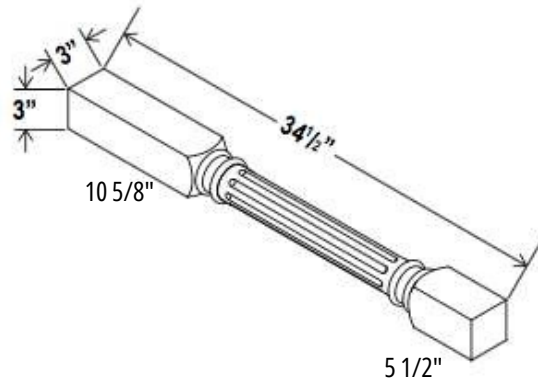


Decorative Leg

Order Code: **FLDL**

- Solid wood

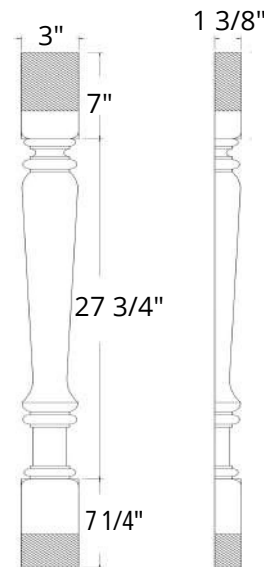
●	AM
●	SW
●	SG
●	SB
●	JG
●	CS
●	PW
●	AW
●	AG
●	SE
●	YC
●	CW



Split Decorative Leg * Pls call for availability

Order Code: **SDL**

- Solid wood
- Trimmable up to 6" from the top
- When installing on a 3 1/2" wide filler, be sure to adjust hinges on adjacent doors to eliminate possible binding on the decorative leg
- Shadows indicate trimmable areas



●	AM
●	SW
●	SG
●	SB
●	JG
●	CS
●	PW
●	AW
●	AG
●	SE
●	YC
●	CW

Bun Feet

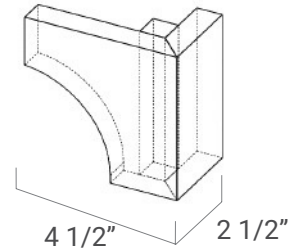
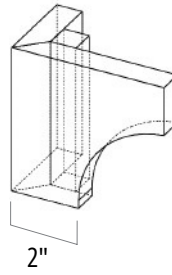
* Pls call for availability

Order Code: **BFT**

- Solid wood

STYLE	HEIGHT	WIDT
Squared	4 1/2"	4
		1/2"

	AM
●	SW
●	SG
●	SB
	JG
	CS
●	PW
	AW
●	AG
	SE
	YC
	CW

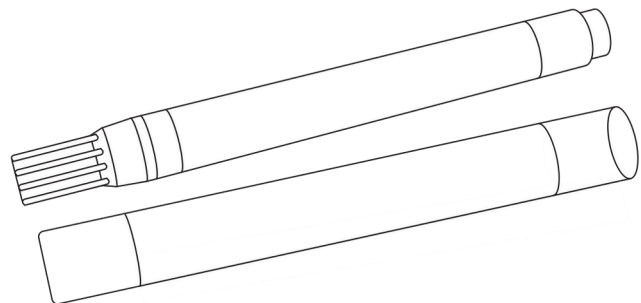


Touch-Up Marker

Order Code: **KIT**

- Felt-tipped marker filled with stain or
- paint For small scuffs or scratches

●	AM
●	SW
●	SG
●	SB
●	JG
●	CS
●	PW
●	AW
●	AG
●	SE
●	YC
●	CW



Roll outs

ORDER CODING

Example: **RS30**

SPECIAL NOTE

- Sold separately from cabinets

Roll Out Tray

Order Code:

RS1 8

RS21

RS24

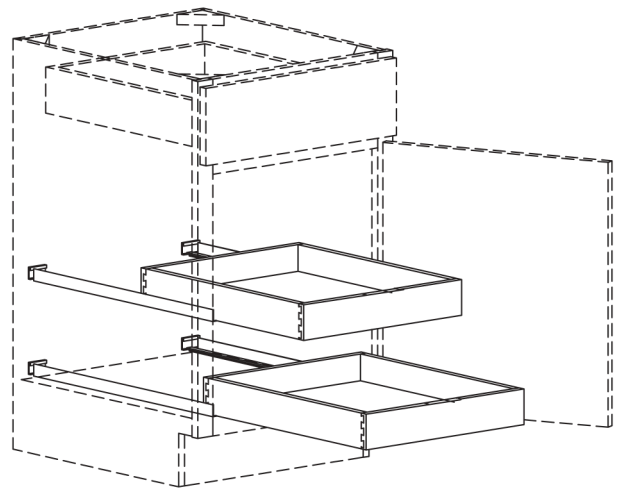
RS27

RS30

RS33

RS36

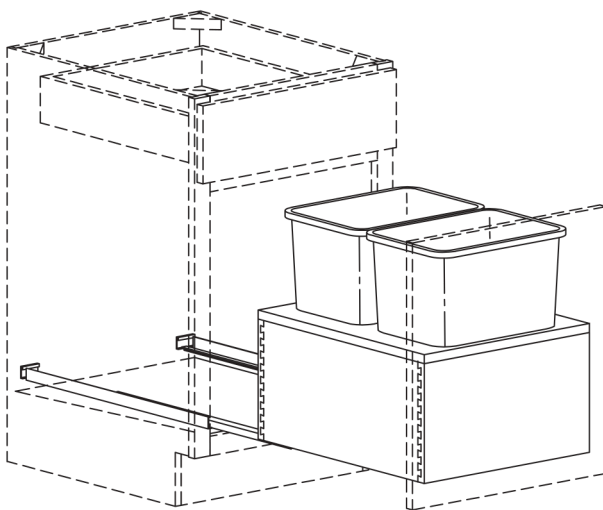
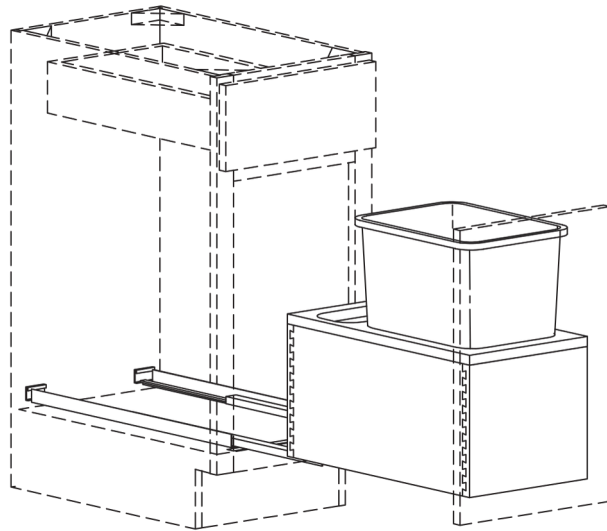
- Solid wood, dovetail construction
- 2 1/2" high sides
- Sidemount, full extension glides
- For 24" deep cabinets



Trash Pull Out Single Standard Base

Order Code: **BTP015**

- Solid wood, dovetail base support
- Undermount, full extension glides with soft close
- Comes with one 35 quart waste container
- Can be fitted in B15



Trash Pull Out Double Standard Base

Order Code: **BTP018**

- Solid wood, dovetail base support
- Undermount, full extension glides with soft close
- Comes with two 30 quart waste containers
- Can be fitted in B18

HARDWARE • Sold separately from cabinets

Bar Pull

Order Code: **AC-H625**



Stainless Steel Bar Pull

LENGTH	WIDTH	PROJECTION	CTC	QTY
6 1/8"	1/2"	1 3/8"	3 3/4"	.25

**6-Way
Adjustable, Soft
Close Hinge**

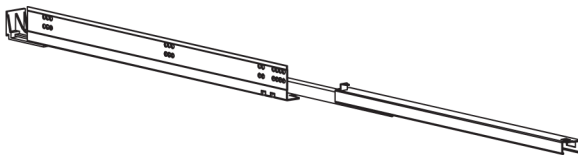
Order Code: **AC-SCH125**

- Built-in, soft close feature



Soft Close, Undermount Glide Pair

Order Code: **AC-RAIL15
AC-RAIL18
AC-RAIL21**



- Full extension
- Undermount
- Soft close
- Numbers indicate cabinet depth not glide depth

How to Clean Your Cabinets

The finish on Sandi Cabinet cabinetry is just like that of a high quality piece of furniture. Although it is designed to protect against normal, every day home use, general upkeep, and cleanliness are very important. With proper care, your cabinetry will look great for generations to come.

Dusting

Dust your cabinets frequently with a soft, lint-free cloth. If need be, slightly dampen the cloth with water or a spray-type dust remover.

Spills

Clean spills and splatters immediately. Prolonged exposure to spills, including food, water, oil, grease, and other liquids, can cause permanent discoloration and/or damage to your cabinet's finish. To clean spills, use a clean, soft cloth dampened with mild soap. Dry immediately with another clean, soft cloth.

Cleaning

Use a clean, soft cloth dampened with mild soap to clean your cabinets. Dry immediately with another clean, soft cloth. There are also a variety of wood cleaning products available for use on cabinetry.

Waxing & Polishing

Waxing your cabinets is not required or recommended. Over time, the wax will build up on the surface of the cabinet. This can cause a hazy, streaky, or yellowed appearance, as well as attract dust particles. The wax can become very difficult to remove. We recommend that you clean and polish your cabinets once or twice each year. To polish your cabinets, use a light coat of quality furniture polish.

Glass Doors

If you have glass panels installed in your cabinet doors, you will want to clean them periodically.

To clean the glass, you can use any commercial glass cleaner. Never apply glass cleaner directly to the glass. Spray a small amount of cleaner onto a clean, soft cloth or paper towel, then wipe the glass. Be careful not to damage the cabinet finish or hardware while cleaning.

Hardware

You will want to periodically clean knobs, pulls, or handles installed on your cabinet doors/drawers. To do so, use a clean, soft cloth dampened with mild soap. Thoroughly dry all hardware joints, surfaces, and the surrounding area with another clean, soft cloth.

Products to Avoid

- Harsh chemicals
- Solvents or petroleum-based products, such as mineral spirits, nail polish removers, or paint thinners
- Abrasive cleaning products
- Ammonia or cleaning products that may contain ammonia
- Bleach or cleaning products that may contain bleach

CLEANING, CARE, AND MAINTENANCE

How to Care for Your Cabinets

Self-Cleaning Appliances

Self-cleaning appliances use intense heat during the clean cycle. During installation and with age, the integrity of the seal or gasket on the appliance can be compromised. Because of this, Sandi Cabinet recommends the removal of any cabinet doors and/or drawers located adjacent to or directly above the appliance during a cleaning cycle.

Heat-Producing Appliances

Mounting or placing heat-producing appliances beneath cabinets is not recommended. The excess heat and moisture from appliances, such as coffee makers and toaster ovens, can damage your cabinets.

UV Effects

Ultraviolet light rays from natural sunlight can affect the appearance of your cabinets. The appearance of your cabinet(s) may change over time depending on the natural characteristics of wood and the applied finish, the amount/direction of light exposure, and the portion of the cabinet that receives light.

Cabinet Maintenance

No matter how careful you are with your cabinetry, normal wear and tear from everyday use is inevitable. This is why Sandi Cabinet has made it easier than ever to keep your cabinets looking brand new.

Touch-Up

We offer touch-up markers and fill sticks that have been specially formulated for each of our high-quality cabinet finishes. Your Sandi Cabinet design professional can assist you in how to order and how to use these products.

NOTE: Substantial repairs may require the help of a professional refinisher.

Adjusting Your Cabinetry Hardware

Over time, the door hinges, soft close pistons, drawer glides, and decorative hardware on your cabinetry may need to be tightened or adjusted. All of our hardware has been designed to be easily adjusted with a Phillips-head (crosshead) screwdriver. Soft close pistons are adjusted by simply turning the small dial on the backside of the piston with your finger.

Because we use real wood in our products, there are certain characteristics and qualities with which you may not be familiar. Because your satisfaction is our number one priority, we want to make sure you are fully aware of the important information listed below regarding our cabinetry and the applied finish.

Expansion & Contraction

Because half of the weight of freshly cut wood is water, these natural properties are such that they can react to climate or humidity changes in your home. Sandi Cabinet doors and face frames are manufactured from solid wood that has been carefully kiln-dried, retaining just enough moisture for proper construction and finishing. The center panels of the Sandi Cabinet doors are either wood or medium density fibreboard. As a product of nature, solid hardwoods continue to react to their surroundings long after the manufacturing process has been completed. When wood cabinet doors are in a warm, moist environment (high humidity), the wood expands. In a dry, colder environment (low humidity), the wood will contract. Even with humidity regulation, this phenomenon can be controlled, but it can never be completely eliminated.

Door panels are prone to minor expansion and contraction as seasonal temperature and humidity changes occur in a home. The contraction (shrinkage) of the center door panel during low humidity periods may result in the appearance of an unfinished line along the edge of the center panel. Sandi Cabinet does not consider the appearance of an unfinished line as a defect and will not replace doors due to this situation. It is recommended that a humidity control system is incorporated in a home to reduce the possibility of expansion and contraction in wood products. Touch-up markers are made available to cover this edge line. Oftentimes, touch-up for this issue may only be necessary within the first year.

Sandi Cabinet is not responsible for any of these conditions and variations.

Finishes

Over time, wood species in all finishes will exhibit color changes when exposed to different types of light and environment. Such color changes are to be expected and are not defects. Due to the natural variation and aging process of wood, minor differences may be observed in color match when replacing doors or adding cabinets at a later date. It is a characteristic of stained and painted wood finishes to age over time when exposed to smoke, sunlight, or general household cleaning chemicals.

Graining differences, mineral streaks, and wood color variations are expected in wood cabinetry and are not classified as defects. A newly installed kitchen could have these minor color variations.

Sandi Cabinet offers several types of painted finishes on cabinetry. Painted finishes are exceedingly different from the standard stained finish. Since normal movement is typical in wood products, certain climatic conditions can cause finish breaks, recesses, and joint/panel lines. Joint separation can be more visible on mitered doors. Consequently, in places and environments of extremely high or extremely low humidity, painted finishes are not recommended. Joint lines and variations are common attributes of painted finishes and will not be considered sufficient reasons for product replacement.

Some of our products have glaze finishes. Since glaze detailing is hand applied then hand wiped off, glaze may "hang up" or remain in any corners of the door or drawer profile. Because the glaze is a hand applied procedure, detailing can differ from piece to piece.

NOTE: *Independent testing has shown that discoloration will develop on doors, drawers, and cabinet parts after continued exposure to tobacco smoke. This is remarkably apparent on white and lighter finishes. We do not warrant discoloration in our products due to exposure to smoke.*

Joint Lines

Expansion and contraction in doors and face frames can cause visible lines at the joints. The finish will still protect the surface, and the structural integrity of the joint will not be affected. An open joint line is not considered a defect.

WARRANTY

I. Description of Warranty

This warranty applies only to the original purchaser and is not transferrable. From the time of purchase, Sandi Cabinet offers an Industrial Standard 2-Years Warranty on all of its cabinetry. In addition to cabinetry, all drawers, shelves, roll out trays, and mechanical components are covered under the warranty as well. In the event that any Sandi Cabinet product fails during the course of normal use, Sandi Cabinet, at its discretion, will either repair or replace the defective product.

Whether the work was performed by a contractor, Sandi Cabinet authorized dealer, or you; any expenses involved in the shipping, removal, installation, or consequent damage of the defective product is not covered under this warranty. This warranty does not apply to products installed in mobile homes or recreational vehicles.

II. Intended Use of Product

To be covered by this warranty, the product must be used only for its intended purpose(s). Cabinets that have been improperly stored, installed, misused, modified, mishandled, and/or subject to excessive moisture or extreme temperature and humidity levels are not covered under this warranty. In addition, any damage caused by smoking and/or environmental/chemical effects are also not covered under this warranty.

III. Anticipated Variance in Product

The Sandi Cabinet warranty only applies to product defects and does not apply to properties of natural wood that are inherent in natural wood species. Any time you have a natural wood product, occurrences such as pinholes, knots, and variances in color or grain are normal and are not covered under this warranty.

Because half of the weight of freshly cut wood is water, its natural properties are such that they can react to climate and/or humidity changes in your home. Sandi Cabinet doors and face frames are manufactured from solid wood that has been carefully kiln-dried, retaining just enough moisture for proper construction and finishing. These hardwoods continue to react to their surroundings long after the manufacturing process has been completed. When wood cabinet doors are in a warm, moist environment (high humidity), the wood expands. In a dry, colder environment (low humidity), the wood will contract. Even with humidity regulation, this phenomenon can be controlled, but it can never be completely eliminated.

Door panels may also be prone to this minor expansion and contraction as seasonal temperature and humidity changes occur in your home. The contraction (shrinkage) of the center door panel during periods of low humidity may result in the appearance of an unfinished line along the edge of the center panel. Sandi Cabinet does not consider the appearance of this line as a defect and will not replace doors due to this situation. Touch-up markers are made available to cover this edge line. The installation of a humidity control system is recommended to reduce the possibility of expansion and contraction in wood products.

All Sandi Cabinet doors are manufactured in moisture-controlled environments under precise specifications. Although slight door warpage can be common in one or two doors within a newly installed kitchen, any door that has not been through a complete heating and cooling cycle has the possibility of warping. Slight warpage can be eliminated through hinge adjustments. Any warping that continues to occur should be further examined by removing the door from the cabinet and placing it on a flat surface. Hinge spacers are available through your authorized Sandi Cabinet dealer in cases where the

warping cannot be eliminated through hinge adjustments. If warping cannot be eliminated through hinge adjustments or the use of hinge spacers, and if the doors have been through a complete heating and cooling cycle, and if all of the cabinets are true and plumb; then Sandi Cabinet will consider replacement.

As mentioned above, normal movement in wood products is typical. In addition to issues listed above, climate conditions can cause finish breaks, recesses, and joint/panel lines. An open joint line is not considered a defect and is not covered under this warranty.

IV. Product Repair or Replacement

Throughout the duration of the warranty period, Sandi Cabinet's sole obligation is to repair or replace any defective product at no charge. This warranty only applies to cabinets and affiliated products sold by Sandi Cabinet offered through an authorized Sandi Cabinet dealer. In the event that a claim is filed after the original product has been discontinued or cancelled, Sandi Cabinet will honor the warranty, at its discretion, subject to the availability of the product, by either:

- Repairing or replacing the defective product with a new product of the same style

OR

- Repairing or replacing the defective product with a product of equal value and complementary style in order to maintain the appearance of the original cabinetry purchase.

An exact match between the finish of the original purchased product and the replacement or repaired product is not guaranteed.

V. Rights of Consumer

There are no other warranties, disclosed or indicated, associated with this product. This document serves as a description of the consumer's definitive legal rights within the transaction and is the exclusive warranty of Sandi Cabinet. The exclusion or partial limitation of contingent or substantial damages is not permissible in some states. The consumer may also have further rights from state-to-state which are not cited in this warranty.

VI. Submission of a Claim

All claims must be submitted to the authorized Sandi Cabinet dealer where the cabinets were originally purchased. Claims are to be submitted in writing. Every claim must include a dated copy of the original sales receipt as proof of purchase. Unless and until the product is specifically requested by the Sandi Cabinet Claims Department, please do not send the defective item(s).

ACCESSORIES		DOOR STYLES (continued)	
Roll Out Tray	54	Shaker Espresso	2
Trash Pull Out Double Standard Base	55	Charleston Saddle	3
Trash Pull Out Single Standard Base	55	Charleston Antique White	3
		Charleston Pure White	3
BASE CABINETS		YorkChocolate	4
Angled Full Height Base	27		
Base Blind Corner (BBC36)	25	HARDWARE	
Base Blind Corner (BBC42)	26	Brushed Polished Nickel Pull	56
Base Double Door	20	6-Way Adjustable, Soft Close Hinge	56
Base Spice Rack	28		
Base End Shelf	28	INDUSTRIAL STANDARD WARRANTY	60
Base Microwave	27		
Base Spice Drawer	20	MOLDING AND TRIM	
Base Single Door	20	Angled Crown Molding	43
File Base 18"	21	Arched Valance	50
Knee Drawer	28	Base Filler	51
Lazy Susan	23	Batten Molding	46
Lazy Susan Turn Table	23	Bull Nose Light Rail	45
Sink Base	22	Bun Feet	53
Sink Base Diagonal	22	Classic Corbel	48
Three Drawer Base	21	Countertop Edge Molding	48
Two Drawer Base	21	COVE Molding	52
		Decorative Crown Molding	44
BATH CABINETS		Decorative Leg	52
Vanity Sink Base		Decorative Leg - Split	52
Vanity Sink Base One Drawer/One Door	34	Furniture Base Molding	47
Vanity Sink Base One Drawer/Two Doors	34	Insert Crown Molding	44
Vanity Combo Six Drawer/Two Door	34	Outside Corner Molding	45
Vanity With Bottom Drawer	35	Rope Molding	44
Vanity Combo Two Drawer/Two Door	35	Scribe Molding	46
Vanity Drawer Base Three Drawer	34	Simple Corbel	49
Vanity Roll Out Tray	36	Shoe Molding	46
Vanity Base with Two Drawers On Top	36	Small Crown Molding	43
	35	Toe Kick	47
CABINET CONSTRUCTION		Tall Filler	51
	5	Traditional Light Rail	48
CLEANING, CARE, & MAINTENANCE		Wall Filler	50
	69		
DOOR STYLES		OVEN UPPER CABINETS	8
Shaker White			
Shaker Grey	2		
	2		

940699•599402--98181454 | sandicabinet.com

390114 3W6.8M Cilelenrt rRadl .A #v4e0, C0 hGinaorl,a CnAd , 9T1X7 7150041